



EKF



TECHNICAL MANUAL

Potentiometer EKF

1 DESCRIPTION

Potentiometers EKF are adjustable voltage dividers that can regulate voltage at a constant current, utilizing the principles of a variable resistor.

2 TECHNICAL DATA

Table 1 - Main technical data

Characteristics	Value
Type	Single-turn, linear taper
Rotational life, cycles	25 000
Resistance element	Cermet
Max. resistance, kOhm	5; 10
Resistance tolerance, %	±10
Degree of protection	IP65
Housing material	Polyamide
Rated power, W	0,5 (70°C)

Characteristics	Value
Max. power, W	2 (70 °C)
Operating temperature, °C	-20 to +70
Terminal type	Screw terminals
Conductor cross-section, mm ²	Min. wire 0,5 Max. wire 2,5
Insulation resistance, MΩ	10 MΩ (500 VDC)
Rated insulation voltage, U _i	250 VAC
Mechanical angle	260°

3 WIRING DIAGRAM

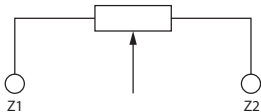


Figure 1 — Potentiometer wiring diagram

4 OVERALL DIMENSIONS

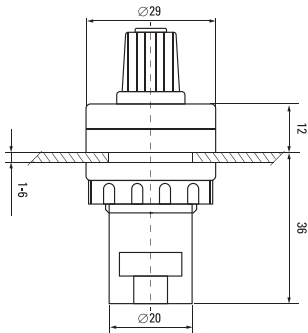


Figure 2 — Overall dimensions

5 DELIVERY SCOPE

Potentiometers EKF are supplied in a group package. For all available documentation, scan the QR-code on the insert or on the inside of the package.

6 TRANSPORTATION AND STORAGE

Potentiometers can be transported by any means of enclosed transport that protects the packaged goods from mechanical impact and weather exposure.

Potentiometers shall be stored indoors in the original package at the ambient temperature from -40°C to +70°C and relative humidity of max. 90% at +25°C.

7 DISPOSAL

Life-expired and potentiometers must be disposed of in compliance with the effective national and local laws and regulations.

To dispose of the product, send it to an authorized company for recycling in compliance with the effective national and local laws and regulations.

8 MANUFACTURER'S WARRANTY

Warranty period: 7 years from the date of sale specified in the sales receipt.

Shelf life: 7 years from the date of manufacture specified on the product package or housing.

Service life: 10 years

Manufacturer: for information, refer to the product package.

Importer and EKF trademark service representative:

EKF ELECTRICAL SOLUTION – FZCO, Dubai Silicon Oasis, DDP, Building A2, Dubai, United Arab Emirates.

Importer and EKF trademark service

representative on the territory of the Russian Federation:

000 «Electroresheniya», Otradnaya st., 2b bld. 9, 5th floor, 127273, Moscow, Russia. Tel.: +7 (495) 788-88-15.

Importer and EKF trademark service representative on the territory of the Republic of Kazakhstan:

TOO «Energoresheniya Kazakhstan», Kazakhstan, Almaty, Bostandyk district, Turgut Ozal st., 247, apt 4.

9 CERTIFICATE OF ACCEPTANCE

Potentiometers EKF comply with IEC 60947-5-1:2016 requirements and have been approved for operation.

Date of manufacture:

For information, refer to the product package.

Technical control stamp



EAC



ekfgroup.com

v3