

Product data sheet

Specifications



**Switch disconnecter/Changeover
 Switch**

PowerSwitch EKF



IEC 60947-3:2020

Series name	PowerSwitch
Product type	Switch disconnectors
Rated voltage [Ue, V]	690 / 400
Frequency [Hz]	50 / 60
Poles	3P, 4P
Rated current [In, A], one way	40; 63; 80; 100; 125; 160; 200; 250; 315; 400; 500; 630; 1000; 1250; 1600; 2000; 2500; 3150
Rated current [In, A], two ways	40; 63; 80; 100; 125; 160; 200; 250; 315; 400; 500; 630; 1000; 1250; 1600; 2000; 2500; 3150
Network type	AC
Rated impulse withstand voltage [Uimp, kV]	6
Mechanical endurance, O-C cycles	300 - 1700
Electrical endurance, O-C cycles	100 - 300
Degree of protection	IP00
Operating temperatures [°C]	-5 ... +50
Contact position indicator	Yes
Auxiliaries	External handle
Mounting support	DIN rail, mounting plate
Standard	IEC 60947-3:2020
Warranty period	7 years

Overall dimensions:

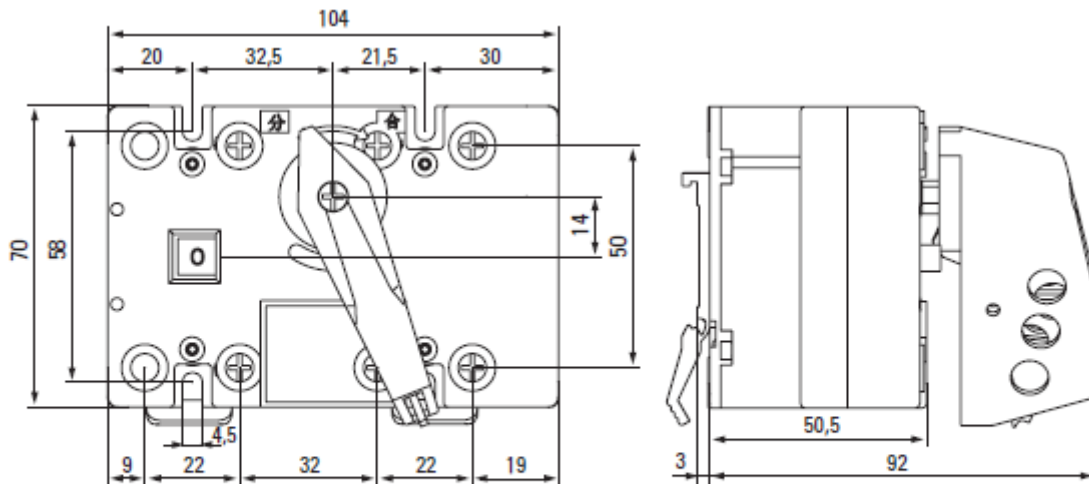


Figure 1a - Installation dimensions of switch disconnecter PowerSwitch 63 A

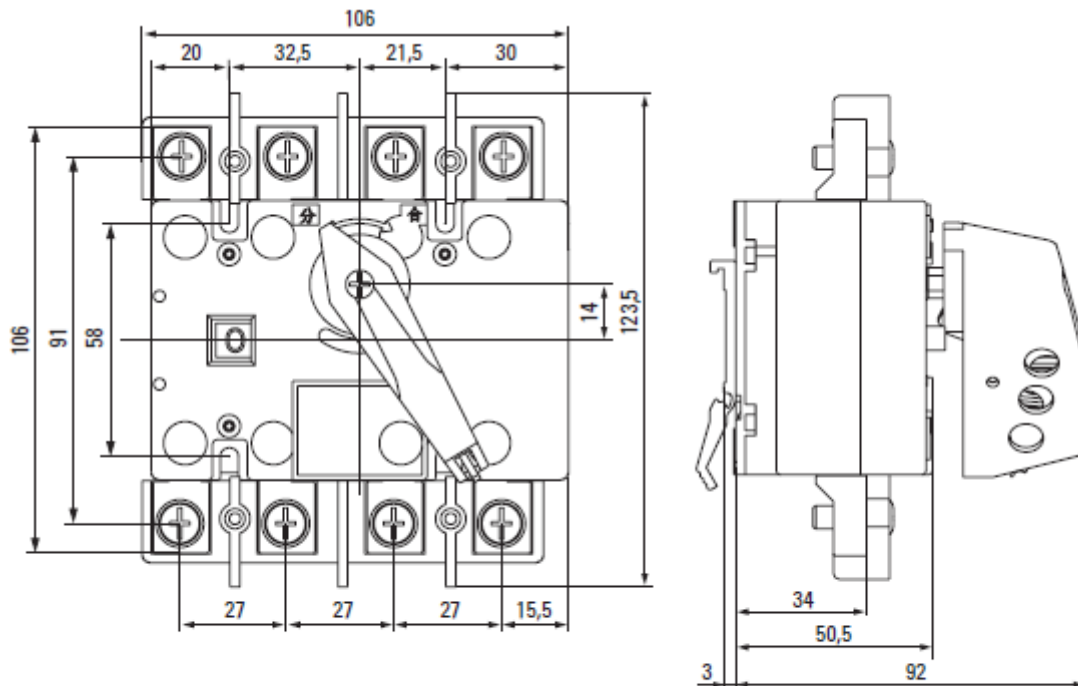


Figure 1b - Installation dimensions of switch disconnecter PowerSwitch 100 A

Overall dimensions:

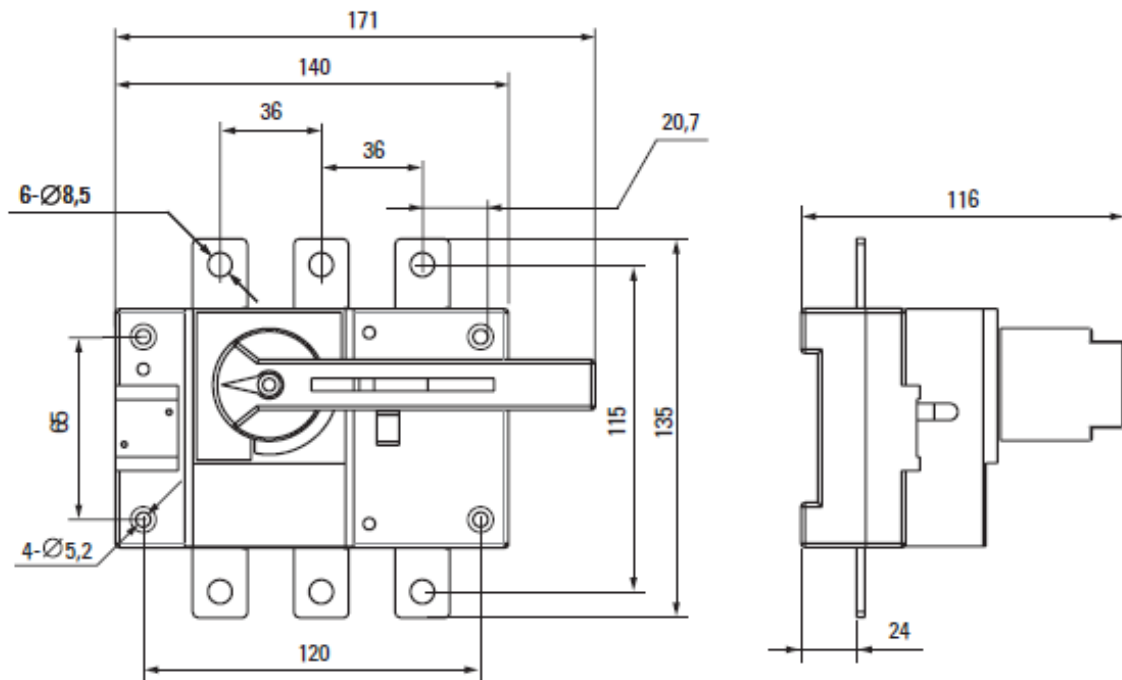


Figure 1a - Installation dimensions of three-pole switch disconnector
 PowerSwitch 160 A

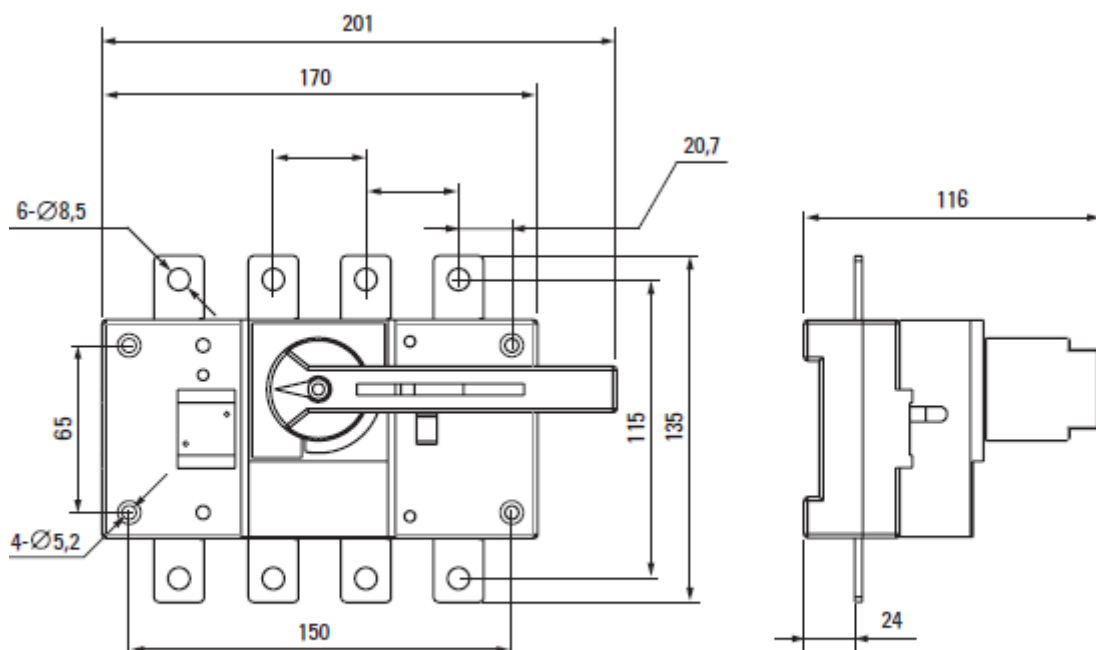


Figure 1b - Installation dimensions of four-pole switch disconnector
 PowerSwitch 160 A



EKF

EKF ELECTRICAL SOLUTION – FZCO
Dubai Silicon Oasis, DDP, Building A2,
Dubai, United Arab Emirates
P.O. Box 342001

www.global.ekfgroup.com

**ENERGY
KNOWLEDGE
FUTURE**

Overall dimensions:

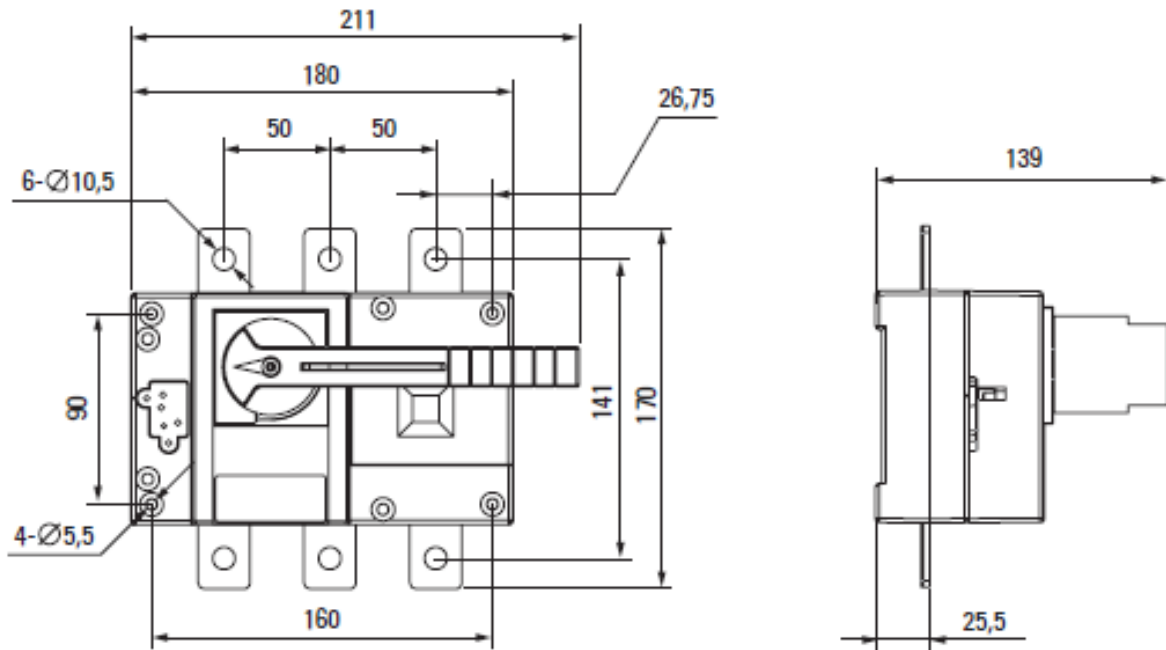


Figure 2a - Installation dimensions of three-pole switch disconnector
 PowerSwitch 250 A

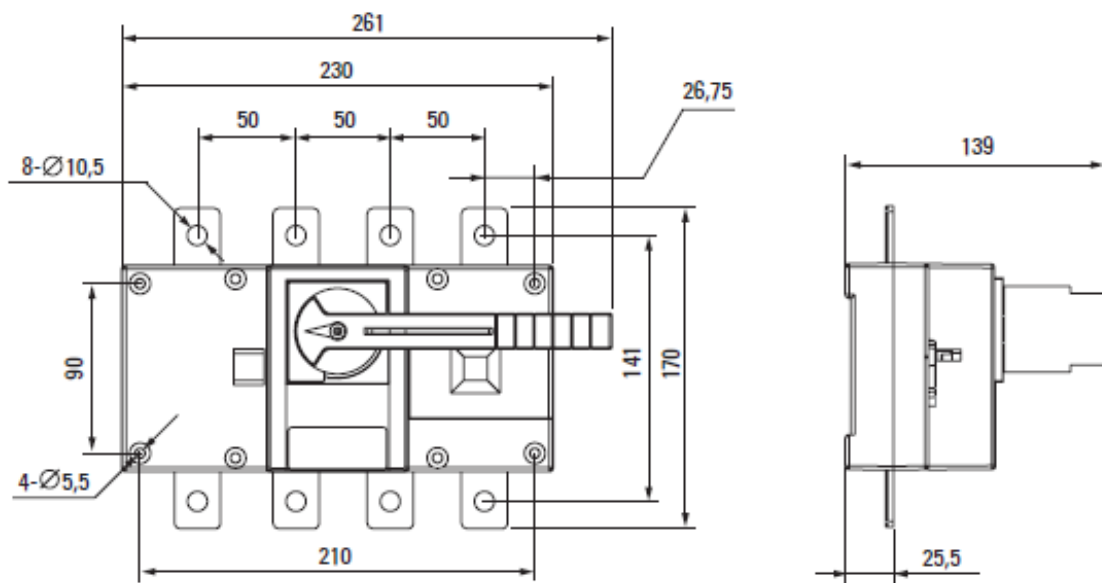


Figure 2b - Installation dimensions of four-pole switch disconnector
 PowerSwitch 250 A

Overall dimensions:

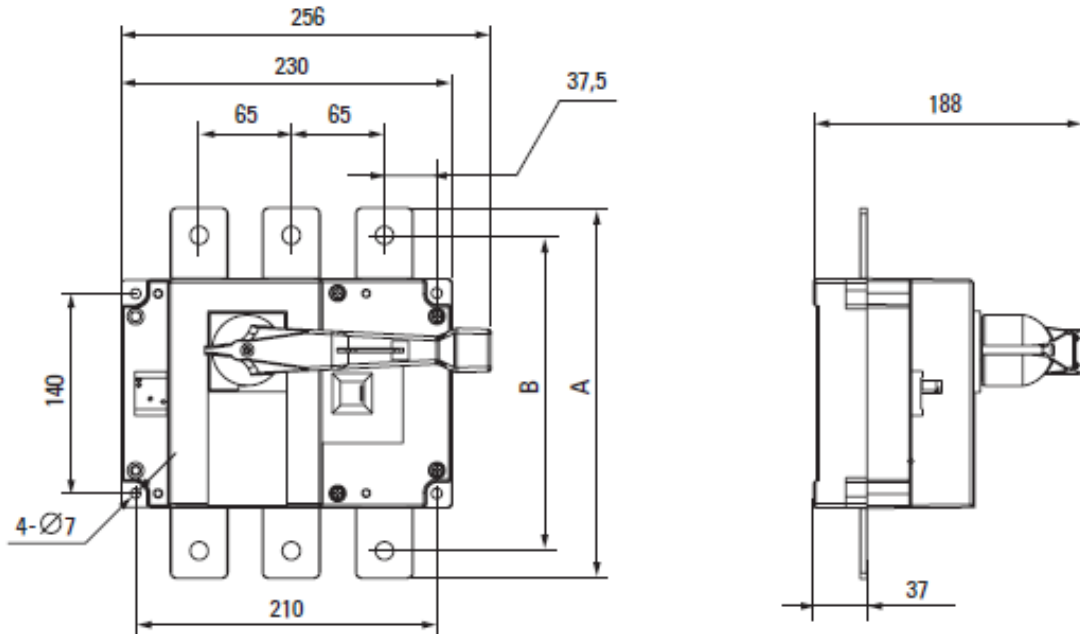


Figure 3a - Installation dimensions of three-pole switch disconnector
 PowerSwitch 400-630 A

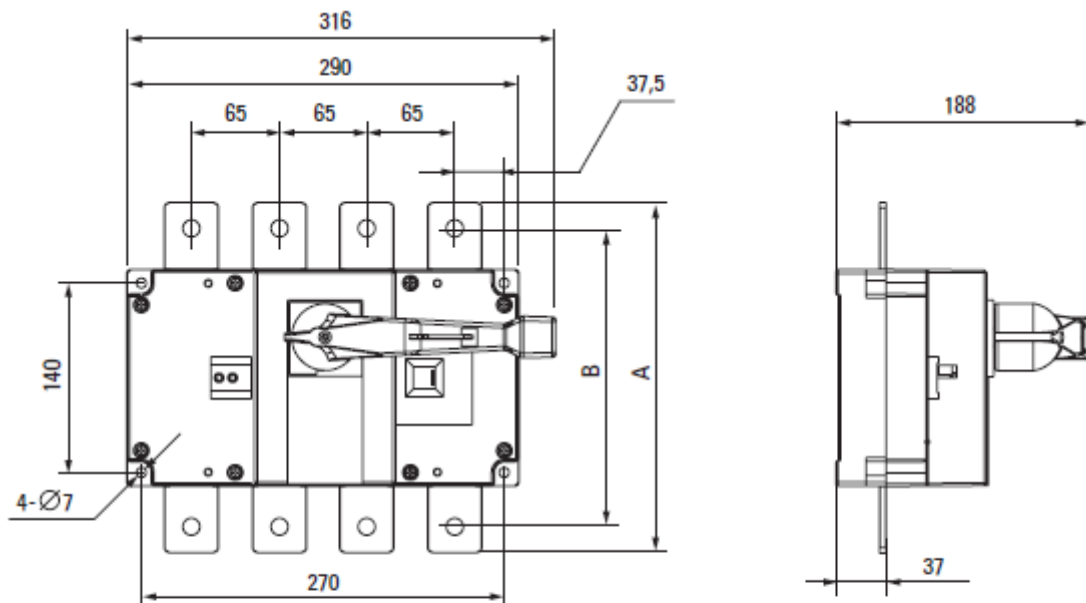


Figure 3b - Installation dimensions of three-pole switch disconnector
 PowerSwitch 400-630 A

Table 3 - Dimensions

Dimensions, mm	A	B
PowerSwitch 400 A	241	208
PowerSwitch 630 A	258	220

Overall dimensions:

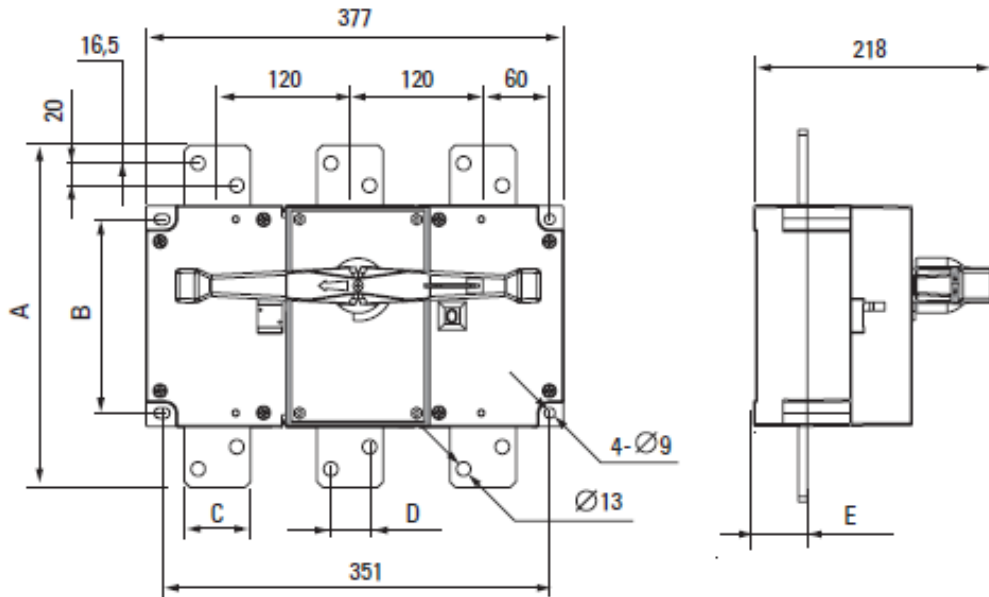


Figure 4a - Installation dimensions of three-pole switch disconnecter PowerSwitch 1000-1600 A

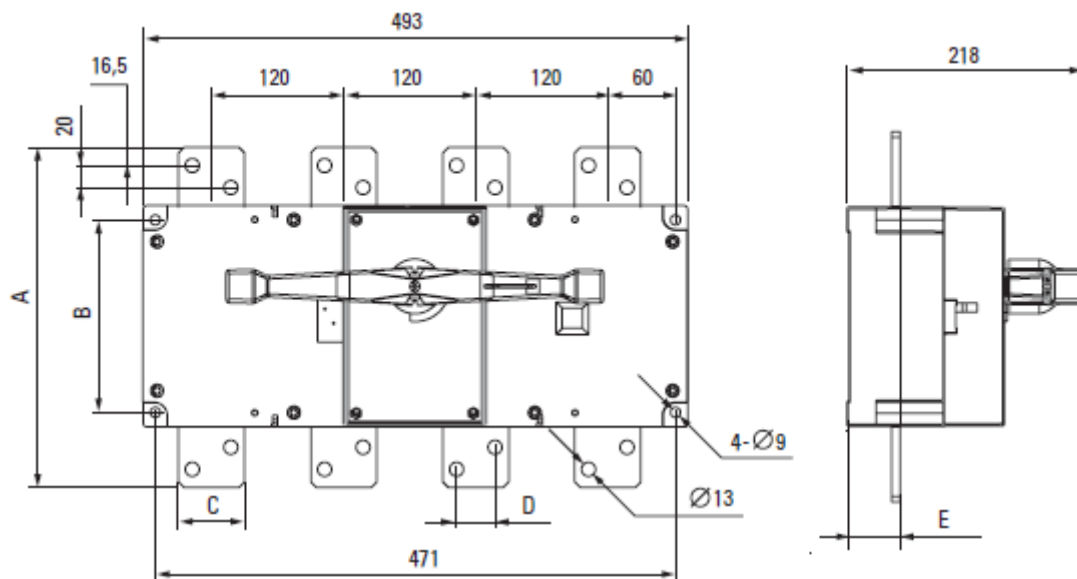


Figure 4b - Installation dimensions of four-pole switch disconnecter PowerSwitch 1000-1600 A

Table 4a, 4b - Dimensions

Dimensions, mm	A	B	C	D	E
PowerSwitch 1000 A 3P	310	175	60	35	49
PowerSwitch 1250 A 3P	336	175	80	40	49
PowerSwitch 1600 A 3P	336	175	80	40	50

Dimensions,mm	A	B	C	D	E
PowerSwitch 1000 A 4P	310	175	60	35	48
PowerSwitch 1250 A 4P	336	175	80	40	48
PowerSwitch 1600 A 4P	336	175	80	40	49

Overall dimensions:

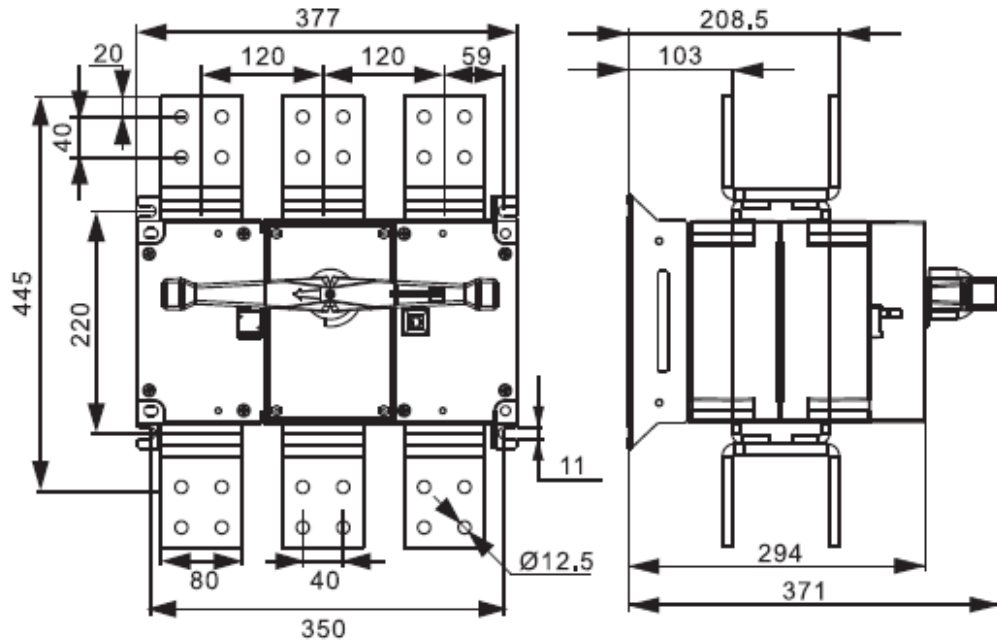


Figure 5a - Installation dimensions of three-pole switch disconnecter
 PowerSwitch 2000-2500 A

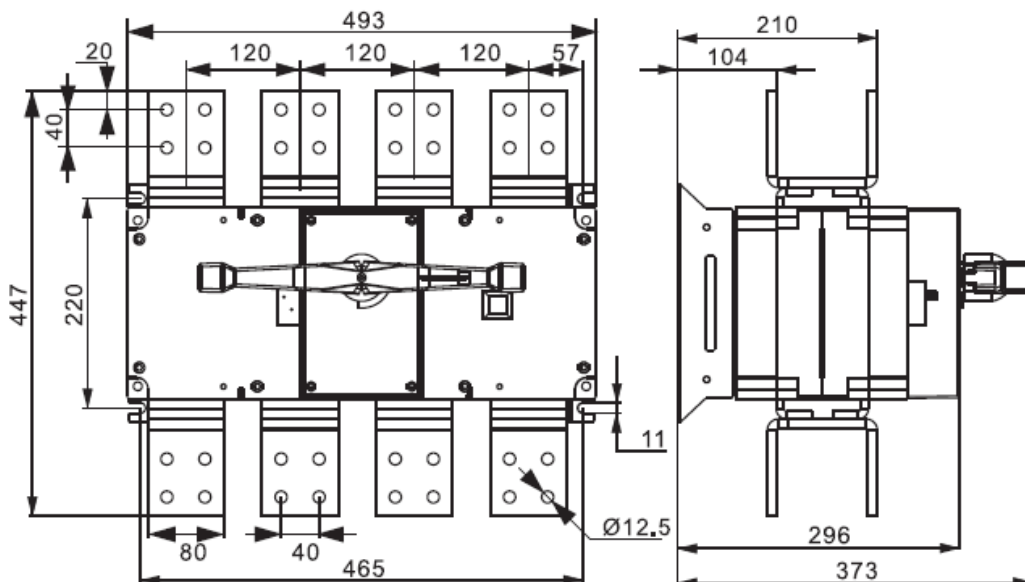


Figure 5b - Installation dimensions of four-pole switch
 disconnecter PowerSwitch 2000-2500 A

Overall dimensions:

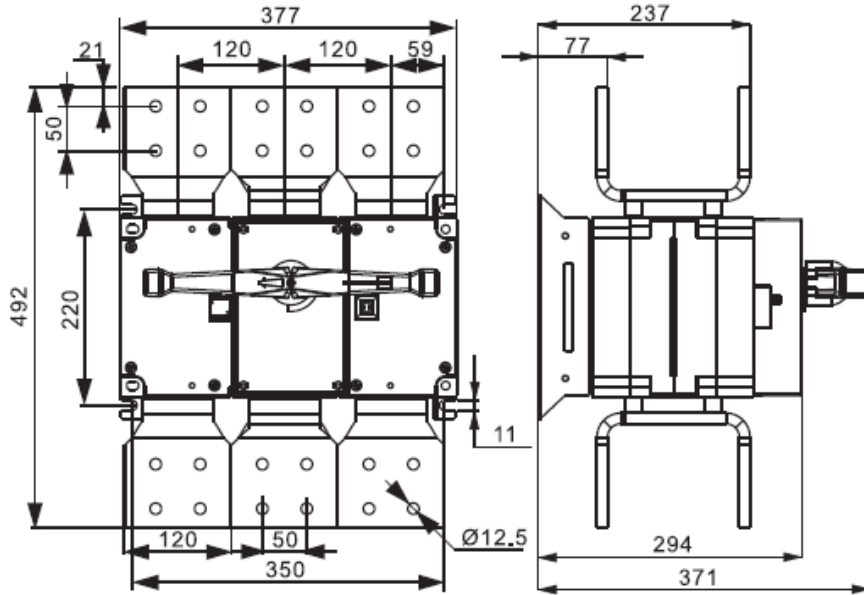


Figure 6a - Installation dimensions of three-pole switch disconnecter PowerSwitch 3150

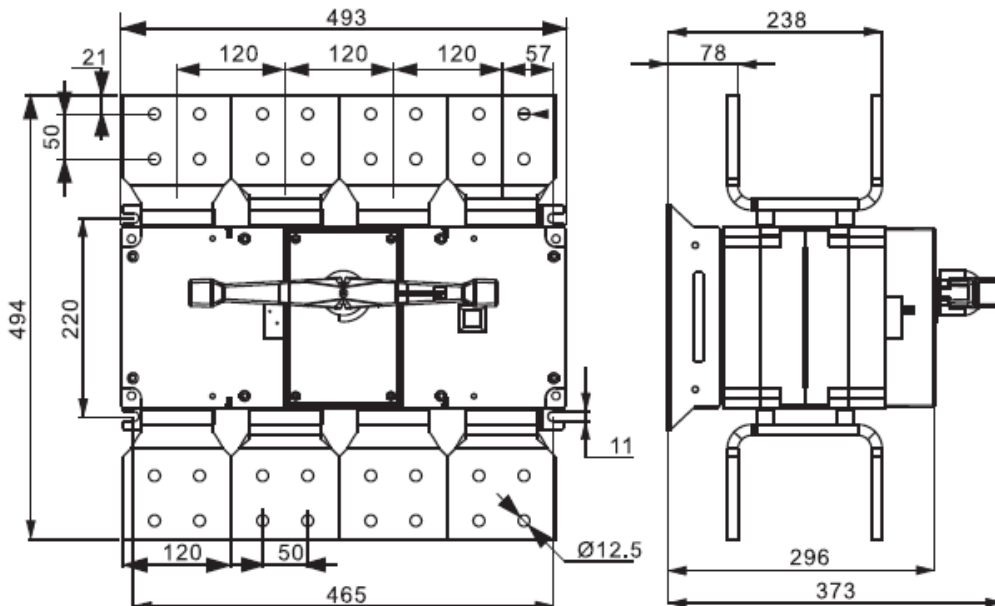


Figure 6b - Installation dimensions of four-pole switch disconnecter PowerSwitch 3150 A

Overall dimensions:

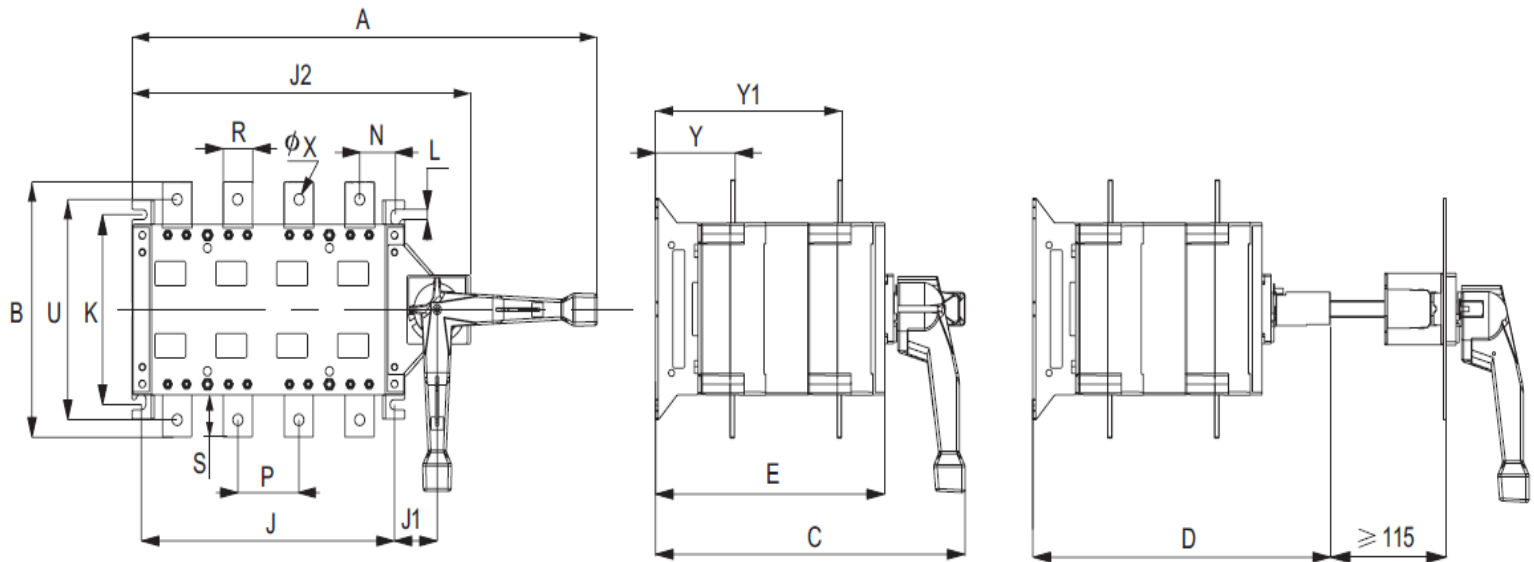


Figure 1- Installation dimensions of changeover switches 63 A - 630 A

Table 3 - Dimensions of changeover switches 63 A - 630 A

Specification	Overall dimensions															Installation dimensions		
	A	B	C	D	E	J1	J2	N	P	R	S	U	φX	Y	Y1	J	K	L
100A - 160A/3	273	135	212	221	153	29	195	28	36	20	25	115	8,5	55	120	120	95	7
100A - 160A/4	303	135	212	221	153	29	225	22	36	20	25	115	8,5	55	120	150	95	7
200A-250A/3	345	170	251	250	182	30	235	33	50	25	30	140	11	64	144	160	116	9
200A-250A/4	395	170	251	250	182	30	285	33	50	25	30	140	11	64	144	210	116	9
400A/3	436	240	327	311	243	45	298	42	65	32	40	206	11	84	197	210	179	9,5
400A/4	496	240	327	311	243	45	358	38	65	32	40	206	11	84	197	270	179	9,5
630A/3	436	260	327	311	243	45	298	42	65	40	50	220	13	84	197	270	179	9,5
630A/4	496	260	327	311	243	45	358	38	65	40	50	220	13	84	197	270	179	9,5

Overall dimensions:

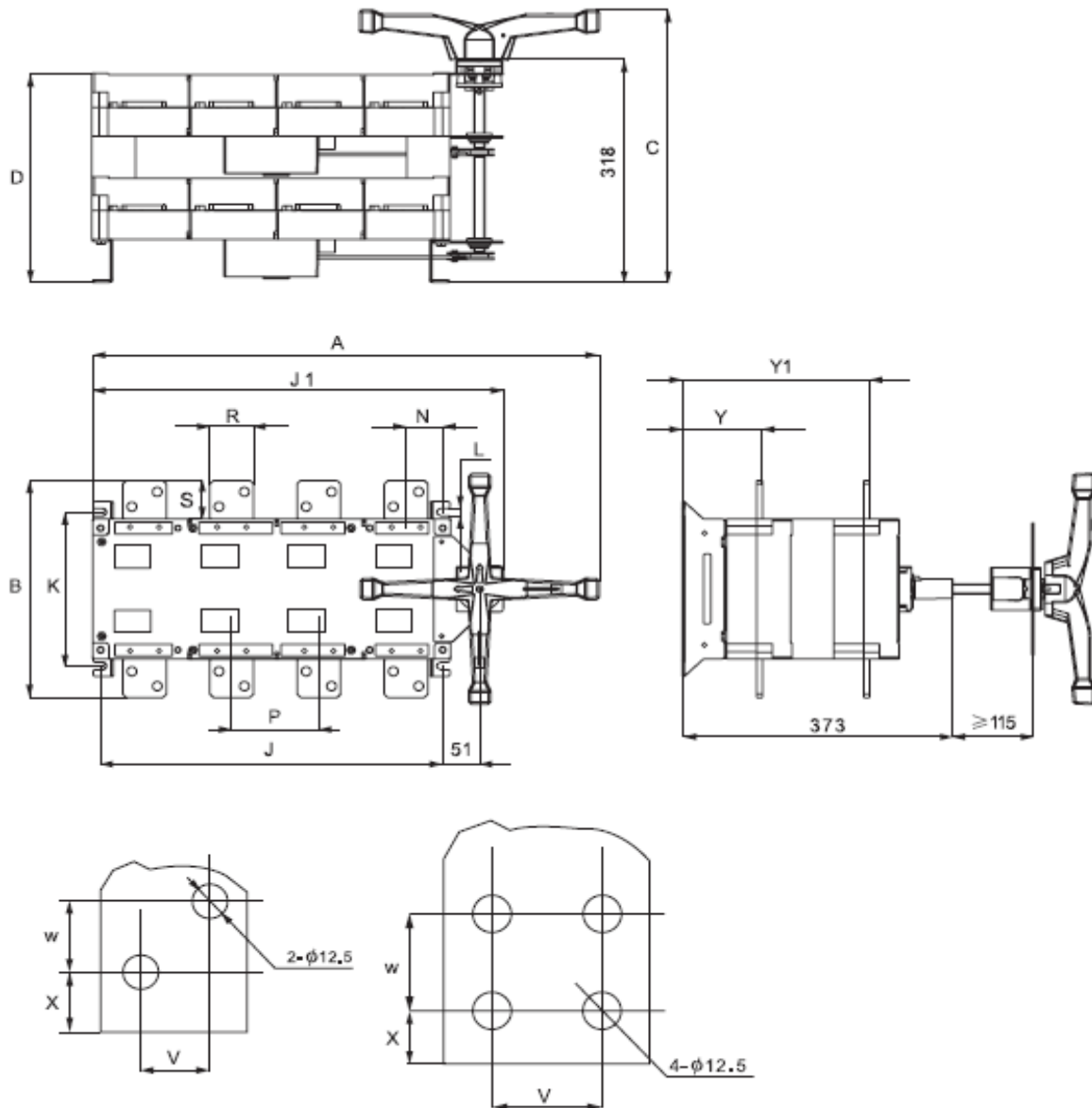


Figure 2 - Installation dimensions of changeover switches 1000 A - 1600 A

Table 4 - Dimensions of changeover switches 1000 A -1600 A

Specification	Overall dimensions													Installation dimensions			
	A	B	C	D	J1	N	P	R	S	V	W	X	Y	Y1	J	K	L
1000A/3	582	308	389	298	450	50,3	120	60	55	35	20	16,5	109	256,5	353	220	11
1000A/4	697	310	389	298	565	50,5	120	60	55	35	20	16,5	110	257,5	471	220	11
1250A/3	582	336	389	298	450	50,3	120	80	68	40	35	16	109	256,5	353	220	11
1250A/4	697	338	389	298	565	50,5	120	80	68	40	35	16	110	257,5	471	220	11
1600A/3	582	336	389	298	450	50,3	120	80	68	40	35	16	110	257,5	353	220	11
1600A/4	697	338	389	298	565	50,5	120	80	68	40	35	16	111	258,5	471	220	11



Overall dimensions:

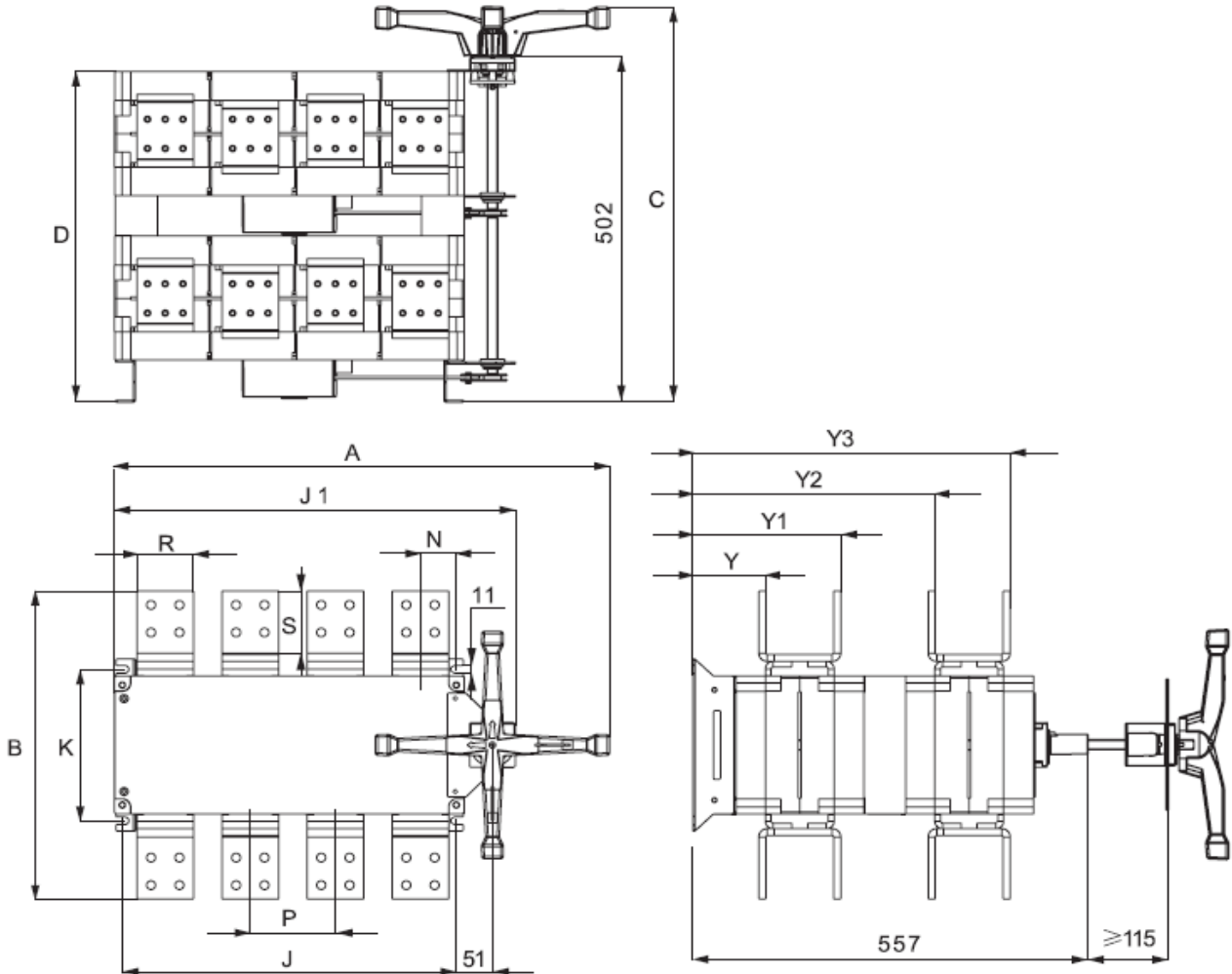


Figure 3 - Installation dimensions of changeover switches 2000 A - 2500 A

Table 5 - Dimensions of changeover switches 2000 A - 2500 A

Speci- fication	Overall dimensions															Installation dimensions		
	A	B	C	D	J1	N	P	R	S	V	W	X	Y	Y1	Y2	Y3	J	K
2000A/3	582	445	574	480	450	53,3	120	80	90	40	40	20	102	207,5	341	446,5	353	220
2000A/4	697	447	574	480	565	50,5	120	80	90	40	40	20	103	208,5	342	447,5	471	220
2500A/3	582	445	574	480	450	53,3	120	80	90	40	40	20	102	207,5	341	446,5	353	220
2500A/4	697	447	574	480	565	50,5	120	80	90	40	40	20	103	208,5	342	447,5	471	220

Overall dimensions:

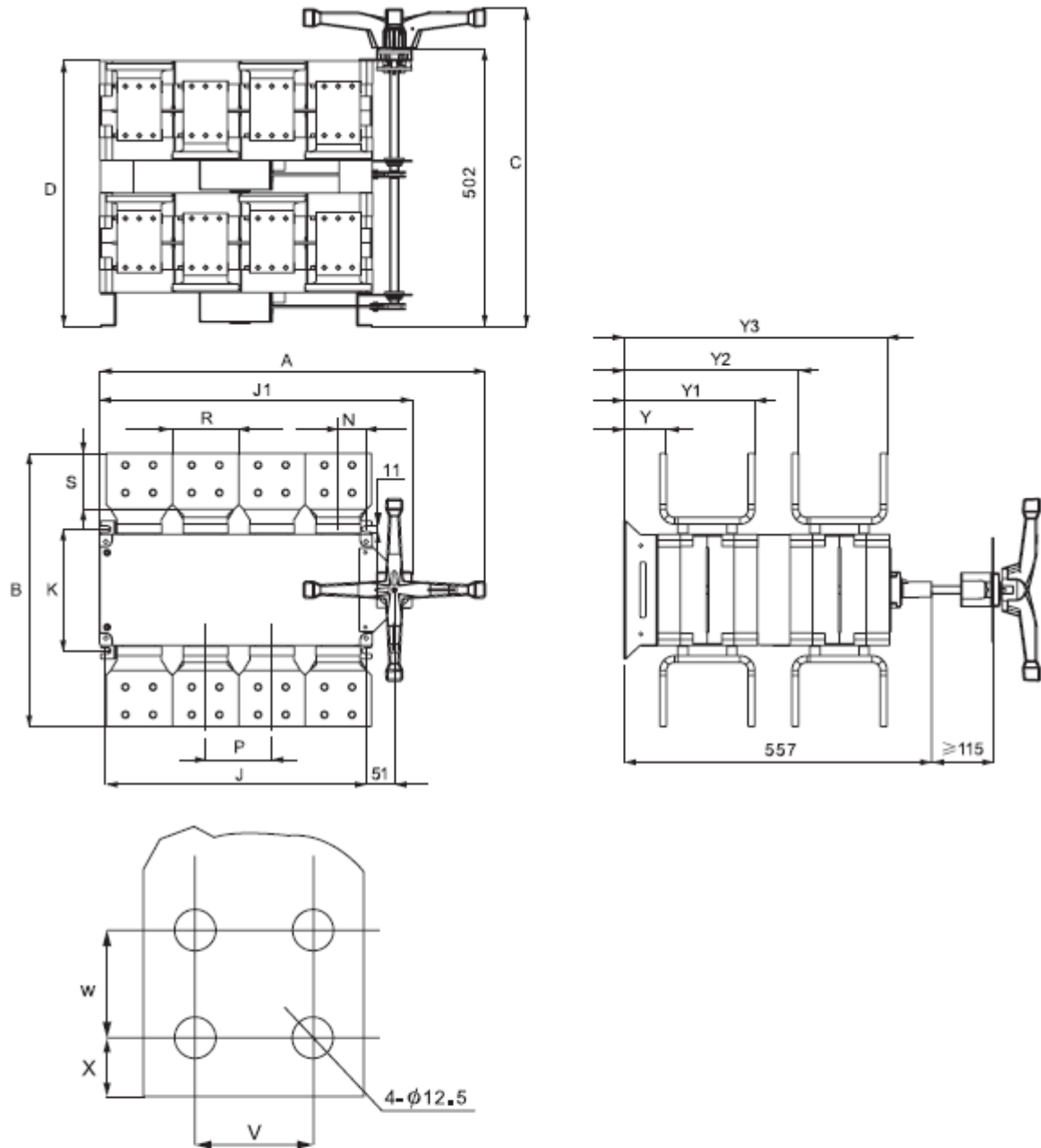


Figure 4 - Installation dimensions of changeover switches 3150 A

Table 6 - Dimensions of changeover switches 3150 A

Speci- fication	Overall dimensions															Installation dimensions		
	In	A	B	C	D	J1	N	P	R	S	V	W	X	Y	Y1	Y2	Y3	J
3150A/3	582	492	574	480	450	53,3	120	120	101	50	50	21	75,5	235,5	314,5	474,5	353	220
3150A/4	697	494	574	480	565	50,5	120	120	101	50	50	21	76,5	236,5	315,5	475,5	471	220



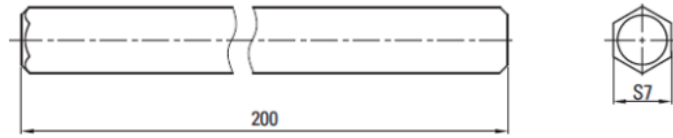
EKF

EKF ELECTRICAL SOLUTION – FZCO
Dubai Silicon Oasis, DDP, Building A2,
Dubai, United Arab Emirates
P.O. Box 342001

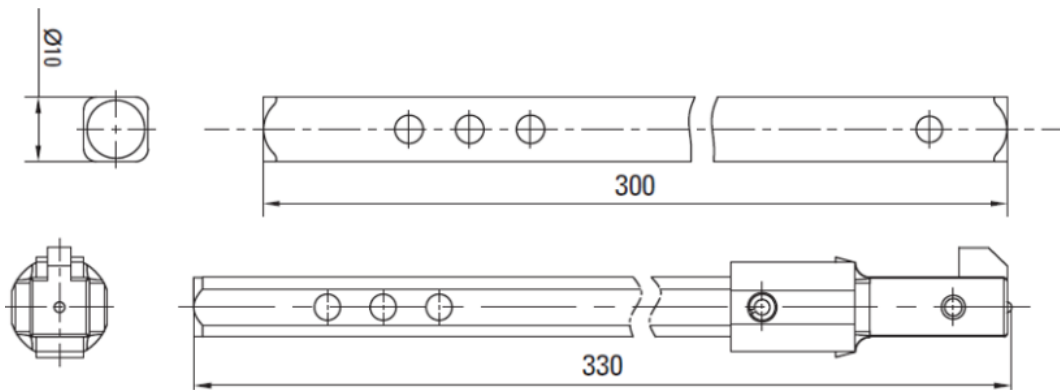
www.global.ekfgroup.com

**ENERGY
KNOWLEDGE
FUTURE**

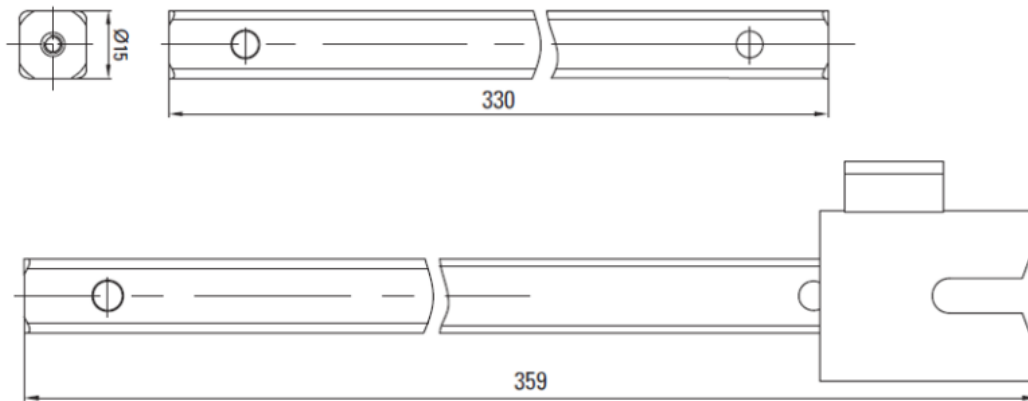
Overall dimensions:



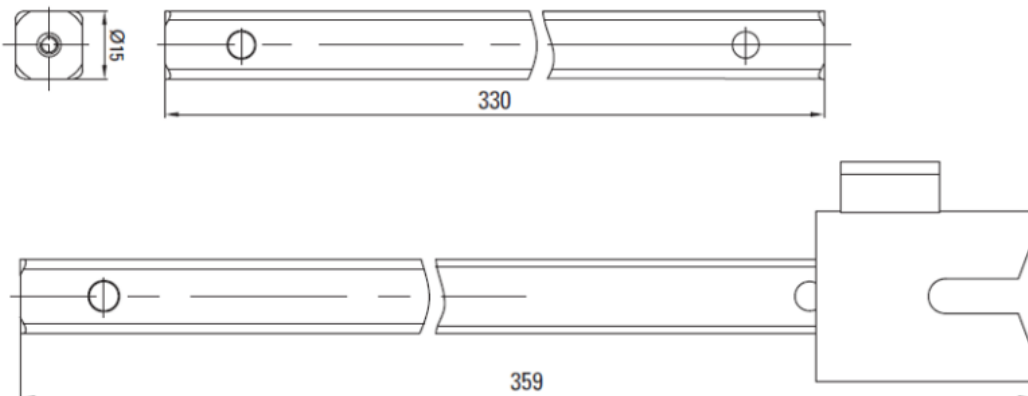
Overall dimensions of extension shaft of switch disconnector (63~100A)



Overall dimensions of extension shaft of switch disconnector (160~630A)



Overall dimensions of extension shaft of switch disconnector (800~3150A)



Overall dimensions of extension shaft of changeover switches