

Product data sheet

Specifications



Molded case circuit breakers (MCCBs)

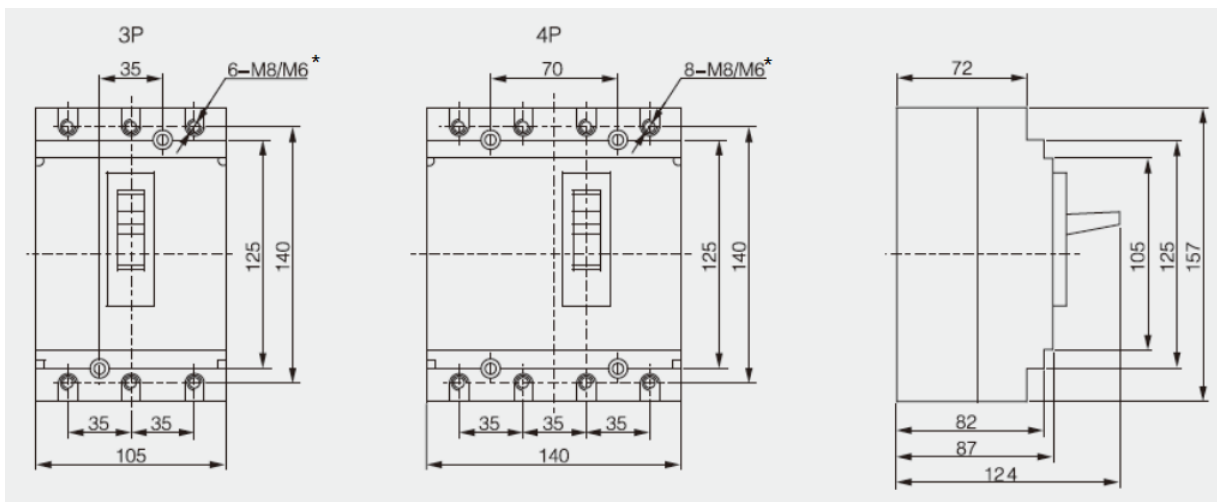
VA-99C EKF

IEC 60947-2:2016

	TM trip unit	Electronic trip unit
Product type	MCCB	
Series name	VA-99C	
Device application	Distribution	
Poles description	3P, 4P	3P, 4P
Frames	1-4	1-5
[In] rated current (frame - current)	100: 16-100A; 160: 16-160A; 250: 200-250A; 400: 250-400A; 630: 400-630	100: 40A,100A; 160: 160A; 250: 250A; 400: 315A,400A; 630: 500A,630A; 1600: 800A, 1000A, 1250A, 1600A
[Ue] rated operational voltage	400/415/690 V AC	400/415/690 V AC
[Ui] rated insulation voltage	800 V A (frame 250A and less); 1000 V AC (above frame 250A)	
[Uimp] rated impulse withstand voltage	8 kV	
Network type	AC	
Network frequency	50/60 Hz	
Utilisation category	A	A (40 -250A); B (400-1600A)
[Icu] rated ultimate short-circuit breaking capacity 400 V AC	36 - 45kA	45 - 50kA
[Ics] rated service short-circuit breaking capacity 400V AC	100% Icu	
Operation temperature °C	-25...+55	-5...+55
Trip unit name	TM	Electronic
Protection type	LI	LSI

Trip unit technology	Ir Adjustable 0,8-1*In Im - 5-10*In (only for 250A frame)	Adjustable: Ir - 0,4-1*In Isd - 1,5-10*In Fixed: Tr, Tsd, li
Measuring	-	-
Communication	-	-
Contacts	Auxillary; Alarm; Combined	
Releases	Shunt; Under Voltage	
Control	Motor operation	
	Extended rotary handle	
Terminal accessories	Terminal extender	

Overall dimensions:



*In > 100 A: fixing screw size M8; In ≥ 100 A: fixing screw size M6