

AV AVERES



TECHNICAL MANUAL
Interface relays RPA EKF
AVERES

1 DESCRIPTION

Interface relays RPA EKF AVERES are accessories used in AC control circuits with voltage up to 230 V. Interface relays are designed for galvanic isolation and transmission of control signals between power and control circuits. The interface relays RPA are mounted on a 35mm DIN rail with relay sockets RM4 and RM5. Relay sockets carry terminals for switching contacts and the coil.

NOTE: Relay sockets RM are not covered by the delivery scope of interface relays RPA.

2 TECHNICAL DATA

Table 1 - Main characteristics

| Characteristics | Values | | | | |
|--|-------------------|-------------|-------------|--------------|--------------|
| | Coil 230 VAC | Coil 24 VDC | Coil 48 VDC | Coil 110 VDC | Coil 220 VDC |
| Maximum switching power AC, VA | 1250 | | | | |
| Maximum switching power DC, W | 150 | | | | |
| Contact resistance, MOhm | 50 | | | | |
| Insulation dielectric strength, V | 2500 | | | | |
| Max. operate time, ms | 25 | | | | |
| Max. release time, ms | 25 | | | | |
| Electrical endurance, cycles | 10 ⁵ | | | | |
| Mechanical endurance, cycles | 10 ⁷ | | | | |
| Degree of protection | IP40 | | | | |
| Operation LED indicator | Available | | | | |
| Breakdown voltage between adjacent contacts, V | 1500 for 1 minute | | | | |
| Breakdown voltage between coil and contacts, V | 1500 for 1 minute | | | | |
| Operating temperature, °C | from -40 to +70 | | | | |

Table 1 continued

| Characteristics | Values | | | | |
|-------------------------------|--------------|-------------|-------------|--------------|--------------|
| | Coil 230 VAC | Coil 24 VDC | Coil 48 VDC | Coil 110 VDC | Coil 220 VDC |
| Coil AC power consumption, VA | 1,2 VA | 0,9 W | | | |
| Coil resistance, kOhm | 16,0 | 0,65 | 2,6 | 12 | 42 |
| Max. operate voltage, V | 176 | 19,2 | 36 | 82,5 | 165 |
| Min. release voltage, V | 66 | 2,4 | 4,8 | 11 | 22 |
| Weight, g | 37 | | | | |

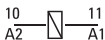
Table 2

| Item code | Rated coil voltage, V | Number of contact groups | Mechanical indicator | Mechanical flag indicator | Rated contact current at 250V AC1, A |
|-----------------|-----------------------|--------------------------|----------------------|---------------------------|--------------------------------------|
| rpa-22-3-230AC | 230 AC | 3 | N/A | N/A | 6 |
| rpa-22-4-230AC | 230 AC | 4 | | | 5 |
| rpa-22-3-24DC | 24 DC | 3 | | | 6 |
| rpa-22-4-24DC | 24 DC | 4 | | | 5 |
| rpa-22-4-48DC | 48 DC | 4 | | | 5 |
| rpa-22-4-110DC | 110 DC | 4 | | | 5 |
| rpa-22-4-220DC | 220 DC | 4 | | | 5 |
| rpat-22-3-230AC | 230 AC | 3 | Available | Available | 10 |
| rpat-22-4-230AC | 230 AC | 4 | | | 5 |
| rpat-22-3-24DC | 24 DC | 3 | | | 10 |
| rpat-22-4-24DC | 24 DC | 4 | | | 5 |
| rpat-22-4-48DC | 48 DC | 4 | | | 5 |
| rpat-22-4-110DC | 110 DC | 4 | | | 5 |
| rpat-22-4-220DC | 220 DC | 4 | | | 5 |

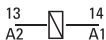
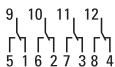
Table 3

| | |
|-----------------|--|
| rpa-22-3-230AC | Interface relay RPA 22/3 6A 230V AC EKF AVERES |
| rpa-22-4-230AC | Interface relay RPA 22/4 5A 230V AC EKF AVERES |
| rpa-22-3-24DC | Interface relay RPA 22/3 6A 24V DC EKF AVERES |
| rpa-22-4-24DC | Interface relay RPA 22/4 5A 24V DC EKF AVERES |
| rpat-22-3-230AC | Interface relay with push button and mechanical indication RPA 22/3 10A 230V AC EKF AVERES |
| rpat-22-4-230AC | Interface relay with push button and mechanical indication RPA 22/4 5A 230V AC EKF AVERES |
| rpat-22-3-24DC | Interface relay with push button and mechanical indication RPA 22/3 10A 24V DC EKF AVERES |
| rpat-22-4-24DC | Interface relay with push button and mechanical indication RPA 22/4 5A 24V DC EKF AVERES |
| rp-led-24DC | LED module 24V DC for interface relay RP EKF AVERES |
| rp-led-230AC | LED module 24V DC for interface relay RP EKF AVERES |
| rpa-22-4-48DC | Interface relay RPA 22/4 5A 48V DC EKF AVERES |
| rpa-22-4-110DC | Interface relay RPA 22/4 5A 110V DC EKF AVERES |
| rpa-22-4-220DC | Interface relay RPA 22/4 5A 220V DC EKF AVERES |
| rpat-22-4-48DC | Interface relay with push button and mechanical indication RPA 22/4 5A 48V DC EKF AVERES |
| rpat-22-4-110DC | Interface relay with push button and mechanical indication RPA 22/4 5A 110V DC EKF AVERES |
| rpat-22-4-220DC | Interface relay with push button and mechanical indication RPA 22/4 5A 220V DC EKF AVERES |

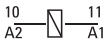
WIRING DIAGRAMS



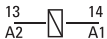
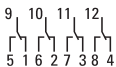
RPA 22/3



RPA 22/4



RPA 22/3



RPA 22/4

Fig. 1

3 OVERALL AND INSTALLATION DIMENSIONS

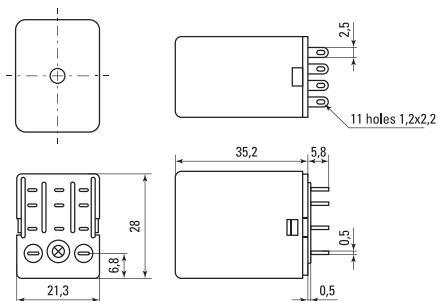


Fig. 2 - Overall dimensions of interface relay RPA 22/3 6A EKF AVERES

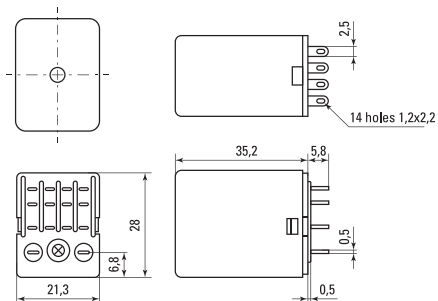


Fig. 3 - Overall dimensions of interface relay RPA 22/4 5A EKF AVERES

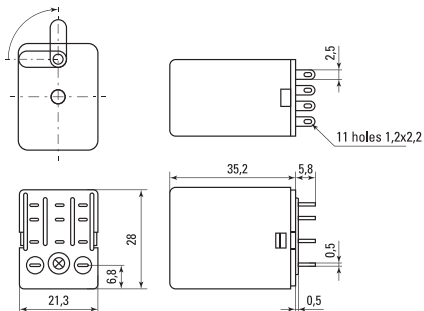


Fig. 4 - Overall dimensions of interface relay RPA 22/3 10A EKF AVERES

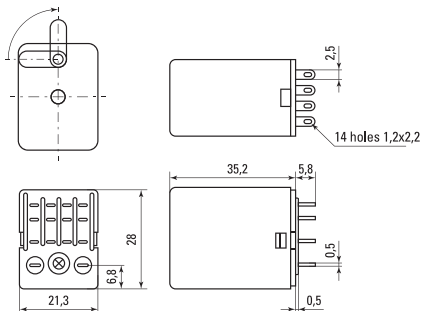


Fig. 5 - Overall dimensions of interface relay RPA 22/4 5A EKF AVERES

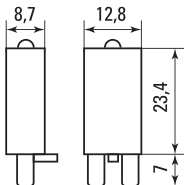


Fig. 6 - Overall dimensions of LED module for interface relay RP
EKF AVERES

4 DELIVERY SCOPE

Interface relays are supplied in a group package. For all available documentation, scan the QR-code on the insert or on the inside of the package.

5 TRANSPORTATION AND STORAGE

The interface relays can be transported by any means of enclosed transport that prevents the packed products from mechanical impact and weather exposure. The interface relays shall be stored in the original package at the ambient temperature from -50°C to $+70^{\circ}\text{C}$ and relative humidity of max. 90%.

6 DISPOSAL

Life-expired and failed relays shall be disposed of in compliance with the effective national and local laws and regulations. To dispose of the product, send it to an authorized company for recycling in compliance with the effective national and local laws and regulations.

7 MANUFACTURER'S WARRANTY

Warranty period: 10 years from the date of sale specified in the sales receipt.

Shelf life: 10 years from the date of manufacture specified on the product package or housing.

Service life: 10 years.

Manufacturer: For information, refer to the product package.

Importer and EKF trademark service representative:

EKF ELECTRICAL SOLUTION – FZCO, Dubai Silicon Oasis, DDP, Building A2, Dubai, United Arab Emirates.

Importer and EKF trademark service representative on the territory of the Russian Federation:

000 «Electroresheniya», Otradnaya st., 2b bld. 9, 5th floor, 127273, Moscow, Russia. Tel.: +7 (495) 788-88-15.

Importer and EKF trademark service representative on the territory of the Republic of Kazakhstan:

TOO «Energoresheniya Kazakhstan», Kazakhstan, Almaty, Bostandyk district, Turgut Ozal st., 247, apt 4.

8 CERTIFICATE OF ACCEPTANCE

The interface relays RPA EKF AVERES have been approved for operation.

Date of manufacture: for information, refer to the product package.

Quality control stamp



EAC



v3

ekfgroup.com

