

# Product data sheet

## Specifications



## Switch disconnecter / Changeover Switch

### TwinBlock EKF

IEC 60947-3

Series name	TwinBlock
Product type	Switch disconnectors
Rated voltage [Ue, V]	690 / 415
Frequency [Hz]	50 / 60
Poles	3P, 4P
Rated current [In, A], one way	40; 63; 80; 100; 125; 160; 200; 250; 315; 400; 630; 800; 1000; 1250; 1600
Rated current [In, A], two ways	40; 63; 80; 100; 125; 160; 200; 250; 315; 400; 630; 800
Network type	AC
Arc chutes	Available
Rated impulse withstand voltage [Uimp, kV]	12
Mechanical endurance [O-C cycles]	3000 – 10 000
Degree of protection	IP00
Cross-section of connection wires [mm <sup>2</sup> ]	70-500
Contact position indicator	Yes
Auxiliaries	Additional pole; Auxiliary contact; Bridge for changeover switches; Phase barrier for switch disconnectors; Extension shaft for external pistol handle 280 mm, 400 mm, 520 mm
Mounting support	DIN rail, mounting plate
Standard	IEC 60947-3
Warranty period	7 years

Overall dimensions:

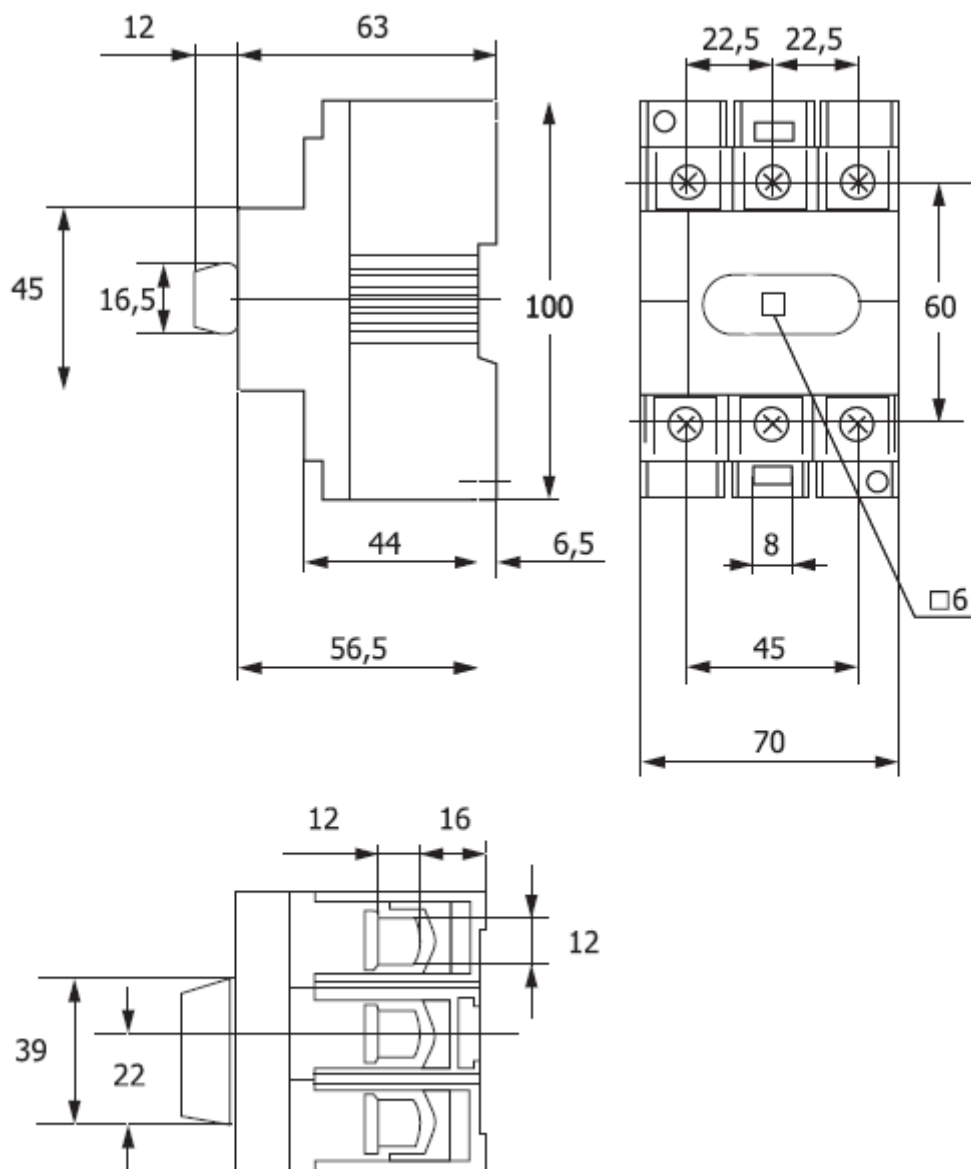


Figure 1. Overall and installation dimensions of switch disconnectors 40-125A

Overall dimensions:

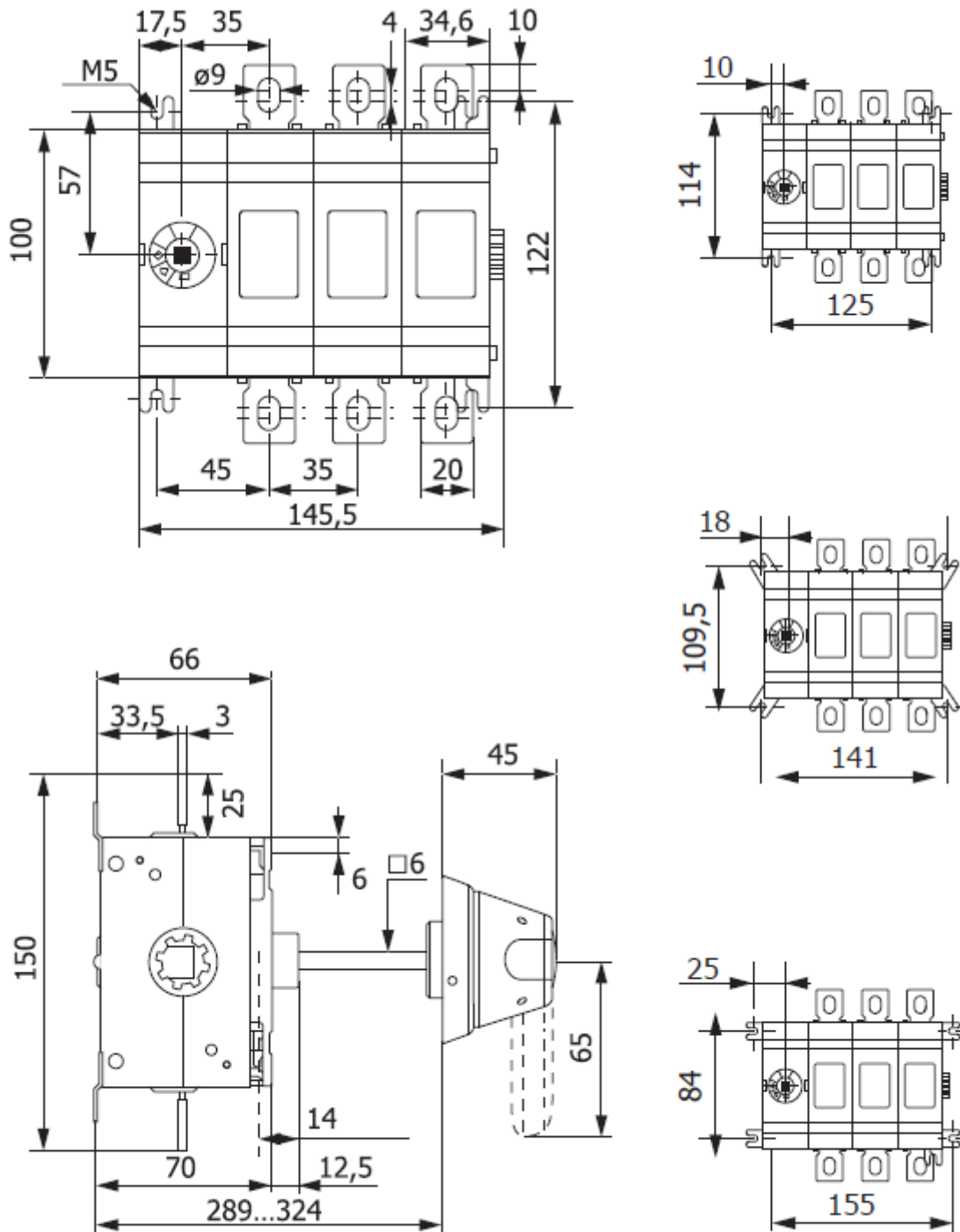


Figure 2. Overall and installation dimensions of switch disconnectors 160-250A

Overall dimensions:

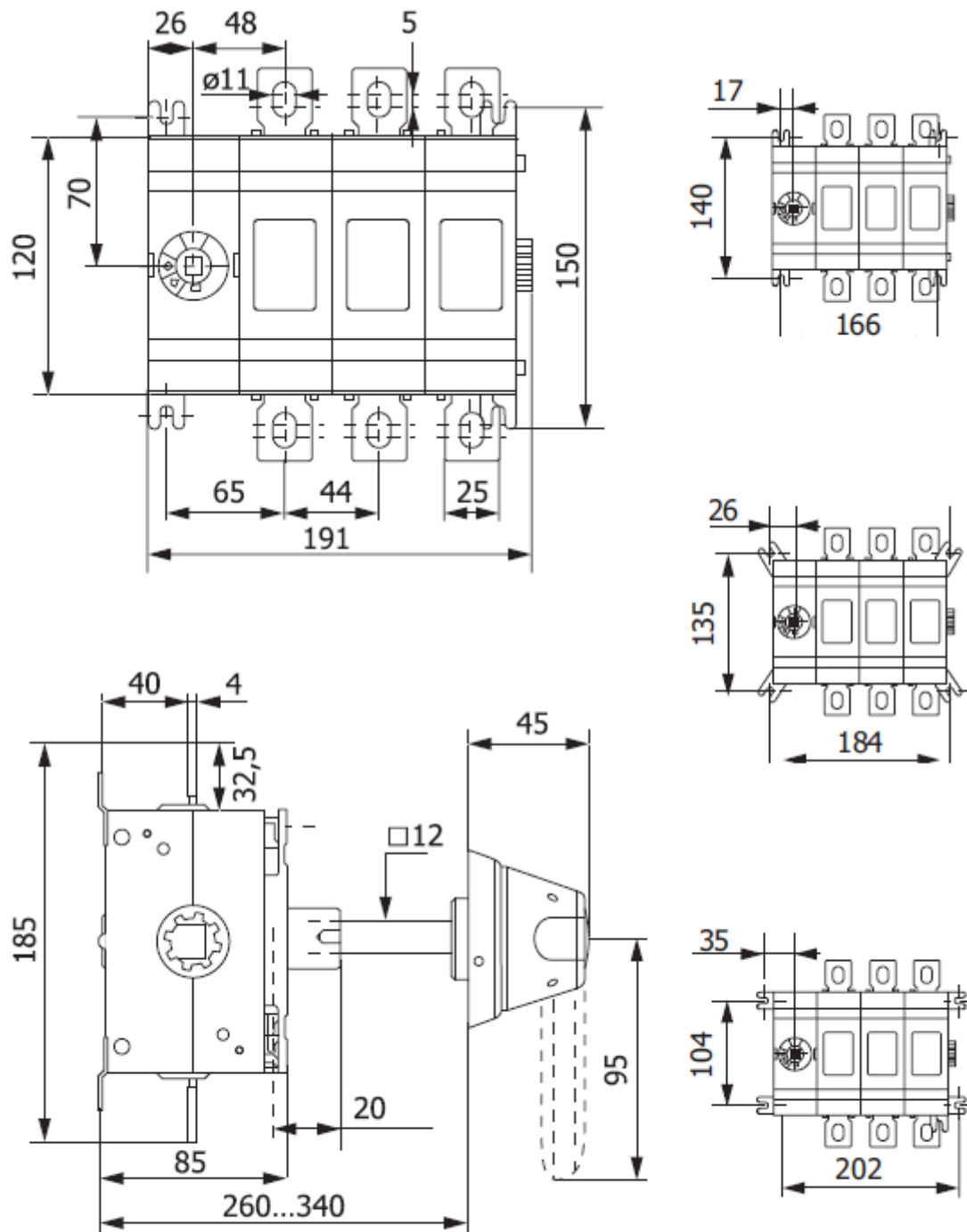


Figure 3. Overall and installation dimensions of switch disconnectors 315-400A

Overall dimensions:

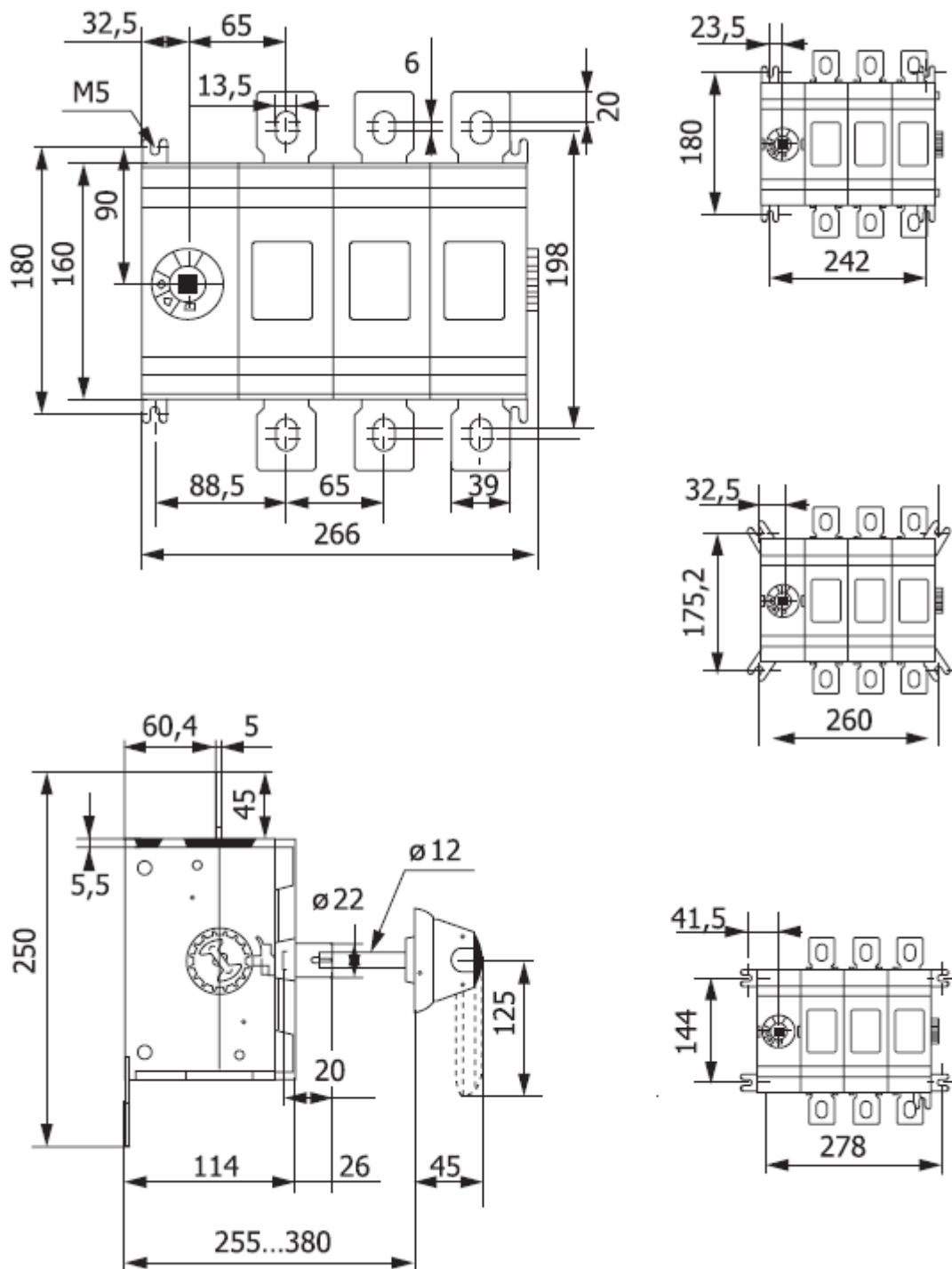


Figure 4. Overall and installation dimensions of switch disconnectors 600-800A



Overall dimensions:

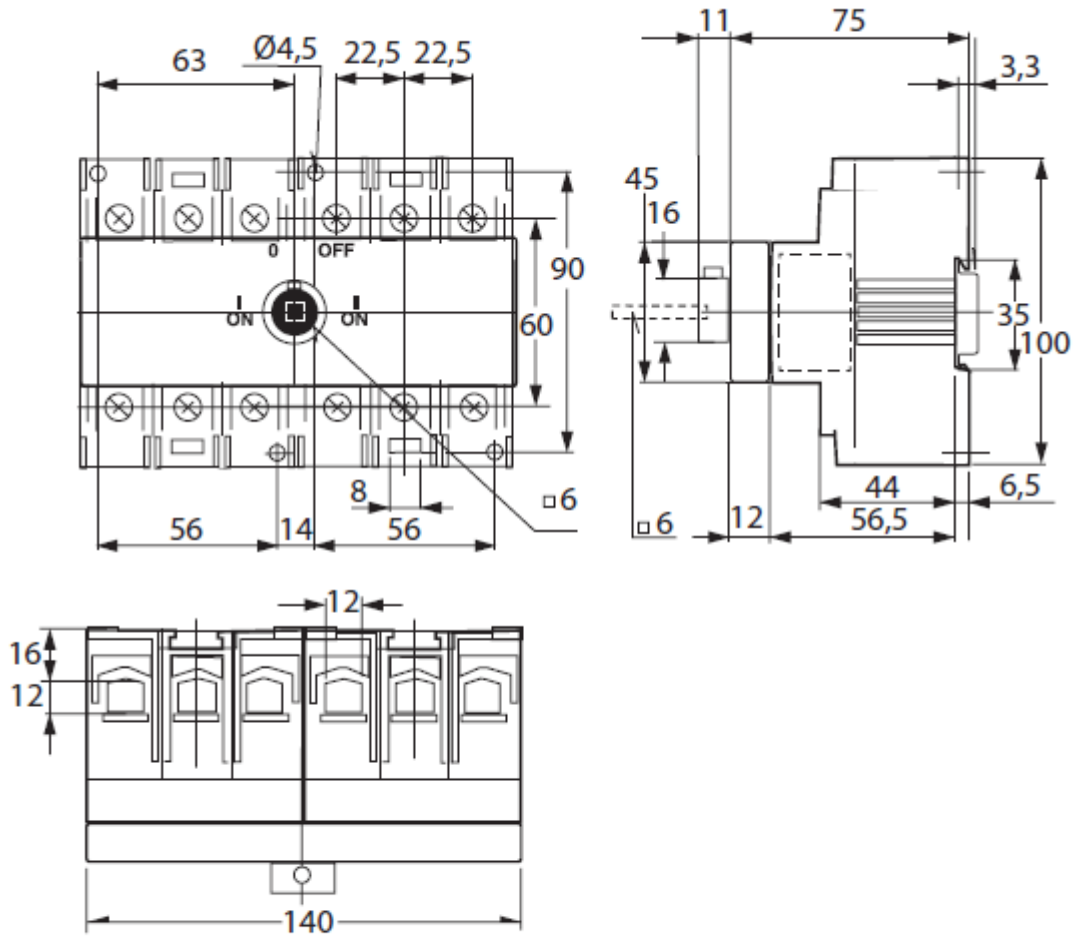


Figure 6. Overall and installation dimensions of changeover switches 40-125A



**EKF**

EKF ELECTRICAL SOLUTION – FZCO  
Dubai Silicon Oasis, DDP, Building A2,  
Dubai, United Arab Emirates  
P.O. Box 342001

[www.global.ekfgroup.com](http://www.global.ekfgroup.com)

**ENERGY  
KNOWLEDGE  
FUTURE**

Overall dimensions:

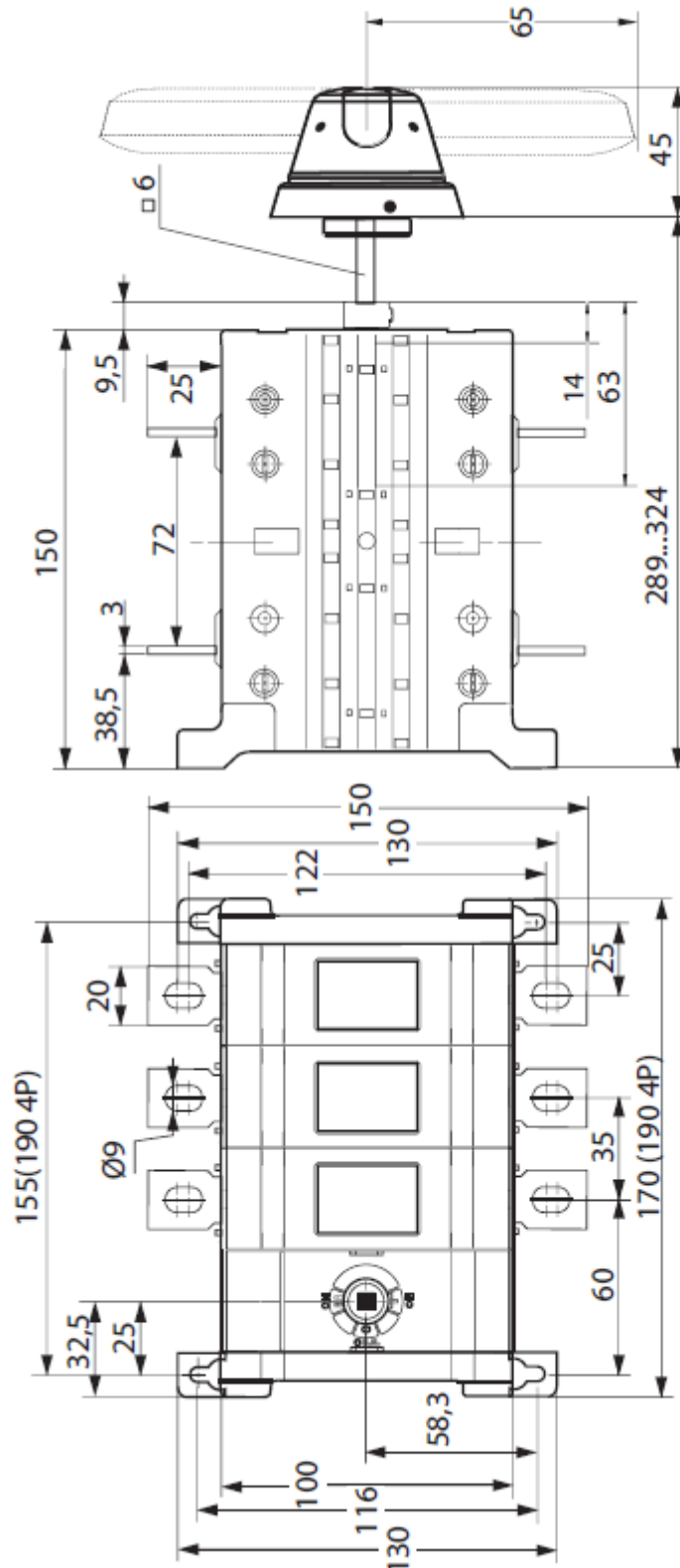


Figure 7. Overall and installation dimensions of changeover switches 160-250A



Overall dimensions:

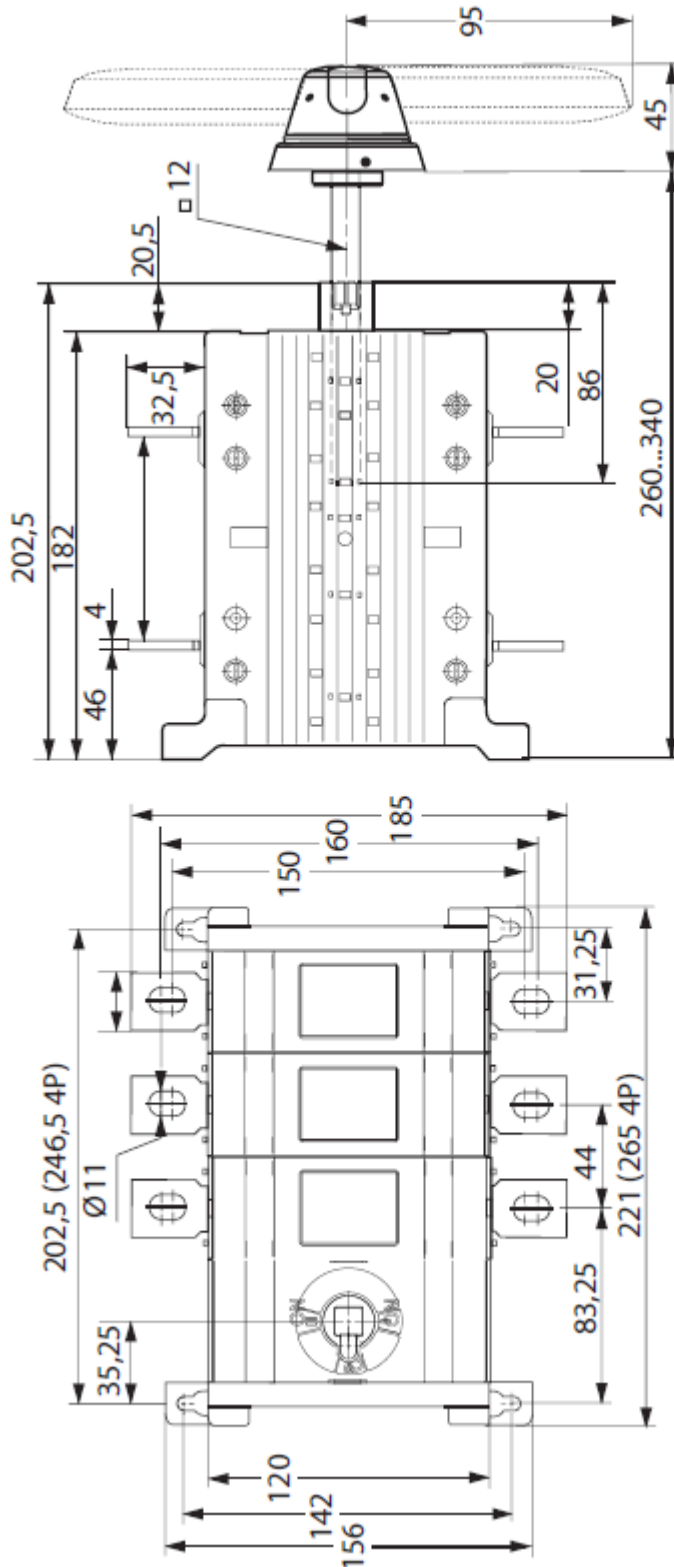


Figure 8. Overall and installation dimensions of changeover switches 315-400A



**EKF**

EKF ELECTRICAL SOLUTION – FZCO  
Dubai Silicon Oasis, DDP, Building A2,  
Dubai, United Arab Emirates  
P.O. Box 342001

[www.global.ekfgroup.com](http://www.global.ekfgroup.com)

**ENERGY  
KNOWLEDGE  
FUTURE**

Overall dimensions:

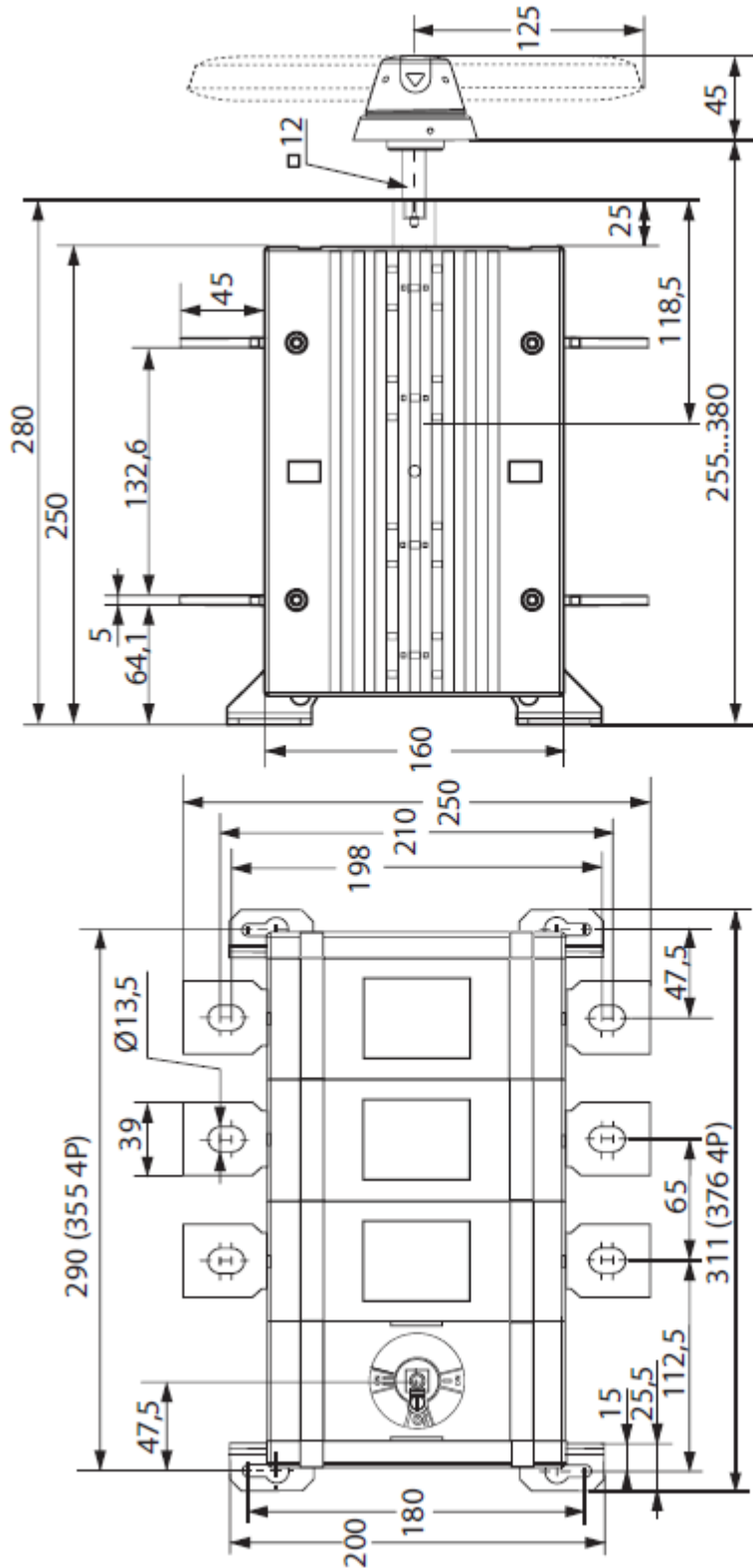


Figure 9. Overall and installation dimensions of changeover switches 630-800A