



TECHNICAL MANUAL
CAM SWITCHES
PK-1, PK-2, PK-3

1 DESCRIPTION

Cam switches PK EKF are mechanical switching devices designed for 50 / 60Hz AC circuits with rated voltage up to 400 V. Available in 1-, 2-, 3- and 4-pole versions.

Cam switches are used in power distribution enclosures, test benches, control panels, welding equipment, etc, and can serve as switch disconnectors.

Higher silver content in the contacts provides lower transients and higher immunity to environmental exposure.

Cam switches are available in several versions:

PK-1 is a standard cam switch with different wiring options and number of poles; PK-2 is a three-phase cam switch with improved contact group (switch disconnector);

PK-3 is a three-phase cam switch in the IP54 protective box (switch disconnector).

PK-1 and PK-2 switches are front-mounted on the front panel of distribution enclosures, control panels, etc.

PK-3 switches are rear-mounted onto the mounting plate.

Switches can be used with compatible protective boxes. The type of protective box depends on the size L (refer to Overall and installation dimensions).

Name	Current, A	L, mm	Item code
Protective box up to 25 A IP54 EKF	10-25	Up to 48 mm	pk-IP54-25
Protective box up to 63 A IP54 EKF	32-63	Up to 55 mm	pk-IP54-63

2 TECHNICAL DATA

TYPE CODE

PK - X - XX - XX - XXX



3 TECHNICAL DATA

Characteristics		Values			
		PK-1	PK-2	PK-2K	PK-3
Degree of protection	On the front panel side	IP20/ IP65	IP20	IP65	IP54
	On the contact side	IP00	IP00		
Rated insulation voltage U_i , V		690			
Rated operating voltage U_e , V		230 / 400			
Min. mechanical endurance, cycles		100 000			
Min. electrical endurance, cycles		30 000			
Operating temperature, °C		from -25 to +40			
Altitude above sea level, m		max. 2000			

For cam switches PK-1 and PK-3

Characteristics	Values											
Rated thermal current, I_{th} , A	10		16		25		32		40		63	
Rated voltage U_e , V	230	400	230	400	230	400	230	400	230	400	230	400
Rated current I_e , A												
AC-21, AC-22	10	10	16	16	25	25	32	32	40	40	63	63
AC-23	7,5	7,5	12	12	22	22	30	30	37,5	37,5	57	57
AC-2	7,5	7,5	12	12	22	22	30	30	37,5	37,5	57	57
AC-3	5,5	5,5	8,8	8,8	15	15	22	22	27,5	27,5	36	36
AC-4	1,75	1,75	2,8	2,8	6,5	6,5	11	11	13,8	13,8	15	15
AC-15	2,5	1,5	4	3,2	8	5	14	6	17,5	7,5	-	-
Rated power P_e , kW												
AC-23	3/ 0,8	5/ 1,7	3,7 2,5	7,5 3,7	5,5/ 3	11/ 5,5	7,5 4	15/ 7,5	9,6/ 5	19/ 9,6	15/ 10	30/ 18,5
AC-2	2,5	3,7	4	7,5	5,5	11	7,5	15	9,6	19	18,5	30
AC-3	1,5	2,2	3/ 2,2	5,5/ 3	4/ 3	7,5 3,7	5,5/ 4	11/ 5,5	7,5 5	15/ 7,5	11/ 6	18,5/ 11
AC-4	0,37	0,55	0,55/ 0,75	1,5/ 1,5	1,5/ 1,1	3/ 2,2	2,7/ 1,5	5,5/ 3	4/ 2	7,5 4	5,5/ 2,4	7,5/ 4

For cam switches PK-2 and PK-2K

Characteristics	Values									
	16		25		40		63		100	
Rated thermal current, A	16		25		40		63		100	
Rated voltage U_e , V	230	400	230	400	230	400	230	400	230	400
Rated current I_e , A										
AC-21, AC-22	16	16	25	25	40	40	63	63	100	100
AC-23	15	15	22	22	30	30	43	43	70	70
AC-3	11,7	11,7	15	15	22	22	36	36	57	57
AC-4	5,5	5,5	8,8	8,8	15	15	22	22	27,5	27,5
Rated power P_e , kW										
AC-23	4	7,5	5,5	11	7,8	15	11	22	22	37
AC-3	3	5,5	4	7,5	7,5	11	11	18,5	18,5	30

4 VERSIONS

Name	Rated current, A	Wiring diagram	Net weight, kg
Cam switch PK-1-11 10A 1P «0-1»	10		0,10
Cam switch PK-1-11 25A 1P «0-1»	25		0,10
Cam switch PK-1-12 10A 2P «0-1»	10		0,10
Cam switch PK-1-12 25A 2P «0-1»	25		0,10
Cam switch PK-1-13 10A 3P «0-1»	10		0,12
Cam switch PK-1-13 25A 3P «0-1»	25		0,14
Cam switch PK-1-13 32A 3P «0-1»	32		0,26
Cam switch PK-1-13 63A 3P «0-1»	63		0,41
Cam switch PK-1-14 10A 4P «0-1»	10		0,12
Cam switch PK-1-14 25A 4P «0-1»	25		0,14

Name	Rated current, A	Wiring diagram	Net weight, kg
Cam switch PK-1-21 10A 1P «1-0-2»	10		0,10
Cam switch PK-1-21 25A 1P «1-0-2»	25		0,10
Cam switch PK-1-22 10A 2P «1-0-2»	10		0,12
Cam switch PK-1-22 25A 2P «1-0-2»	25		0,14
Cam switch PK-1-23 10A 3P «1-0-2»	10		0,13
Cam switch PK-1-23 25A 3P «1-0-2»	25		0,15
Cam switch PK-1-23 32A 3P «1-0-2»	32		0,31
Cam switch PK-1-23 63A 3P «1-0-2»	63		0,52
Cam switch PK-1-24 10A 4P «1-0-2»	10		0,16
Cam switch PK-1-24 25A 4P «1-0-2»	25		0,19
Cam switch PK-1-31 10A 1P «1-2»	10		0,10
Cam switch PK-1-31 25A 1P «1-2»	25		0,10
Cam switch PK-1-41 10A 1P «1-0-2»	10		0,10
Cam switch PK-1-41 25A 1P «1-0-2»	25		0,10

Name	Rated current, A	Wiring diagram	Net weight, kg
Cam switch PK-1-42 10A 2P «1-0-2»	10		0,12
Cam switch PK-1-42 25A 2P «1-0-2»	25		0,14
Cam switch PK-1-43 10A 3P «1-0-2»	10		0,13
Cam switch PK-1-43 25A 3P «1-0-2»	25		0,15
Cam switch PK-1-43 32A 3P «1-0-2»	32		0,31
Cam switch PK-1-43 63A 3P «1-0-2»	63		0,52
Cam switch PK-1-51 10A 1P «1-2»	10		0,10
Cam switch PK-1-51 25A 1P «1-2»	25		0,10
Cam switch PK-1-52 10A 2P «1-2»	10		0,12
Cam switch PK-1-52 25A 2P «1-2»	25		0,14
Cam switch PK-1-53 10A 3P «1-2»	10		0,13
Cam switch PK-1-53 25A 3P «1-2»	25		0,15
Cam switch PK-1-53 32A 3P «1-2»	32		0,31
Cam switch PK-1-53 63A 3P «1-2»	63		0,52
Cam switch PK-1-64 10A for voltmeter	10		0,13

Name	Rated current, A	Wiring diagram	Net weight, kg																																																
Cam switch PK-1-73 10A 3P for voltmeter (line voltage)	10	<table border="1"> <tr><td>0</td><td></td><td></td><td></td><td></td><td></td></tr> <tr><td>L1L2</td><td>X</td><td></td><td></td><td>X</td><td></td></tr> <tr><td>L2L3</td><td></td><td>X</td><td></td><td></td><td>X</td></tr> <tr><td>L3L1</td><td></td><td></td><td>X</td><td></td><td>X</td></tr> </table>	0						L1L2	X			X		L2L3		X			X	L3L1			X		X	0,12																								
0																																																			
L1L2	X			X																																															
L2L3		X			X																																														
L3L1			X		X																																														
Cam switch PK-1-73 10A 3P for voltmeter (line voltage)	10	<table border="1"> <tr><td>0</td><td></td><td></td><td></td><td></td><td></td></tr> <tr><td>L1N</td><td>X</td><td></td><td></td><td>X</td><td></td></tr> <tr><td>L2N</td><td></td><td>X</td><td></td><td></td><td>X</td></tr> <tr><td>L3N</td><td></td><td></td><td>X</td><td></td><td>X</td></tr> </table>	0						L1N	X			X		L2N		X			X	L3N			X		X	0,12																								
0																																																			
L1N	X			X																																															
L2N		X			X																																														
L3N			X		X																																														
Cam switch PK-1-94 10A 4P for amperemeter	10	<table border="1"> <tr><td>0</td><td></td><td></td><td></td><td></td><td></td><td></td><td></td><td></td><td></td><td></td><td></td></tr> <tr><td>L1</td><td>X</td><td></td><td>X</td><td></td><td>X</td><td></td><td>X</td><td></td><td>X</td><td></td><td>X</td></tr> <tr><td>L2</td><td></td><td>X</td><td></td><td>X</td><td></td><td>X</td><td></td><td>X</td><td></td><td>X</td><td></td></tr> <tr><td>L3</td><td>X</td><td></td><td>X</td><td></td><td>X</td><td></td><td>X</td><td></td><td>X</td><td></td><td>X</td></tr> </table>	0												L1	X		X		X		X		X		X	L2		X		X		X		X		X		L3	X		X		X		X		X		X	0,12
0																																																			
L1	X		X		X		X		X		X																																								
L2		X		X		X		X		X																																									
L3	X		X		X		X		X		X																																								
Cam switch PK-1-101 10A 1P «0-1-2-3»	10	<table border="1"> <tr><td>0</td><td></td><td></td><td></td><td></td><td></td></tr> <tr><td>1</td><td>X</td><td></td><td></td><td></td><td></td></tr> <tr><td>2</td><td></td><td>X</td><td></td><td></td><td></td></tr> <tr><td>3</td><td></td><td></td><td>X</td><td></td><td></td></tr> </table>	0						1	X					2		X				3			X			0,12																								
0																																																			
1	X																																																		
2		X																																																	
3			X																																																
Cam switch PK-1-101 25A 1P «0-1-2-3»	25	0,14																																																	
Cam switch PK-1-101 32A 1P «0-1-2-3»	32	0,26																																																	
Cam switch PK-1-102 10A 2P «0-1-2-3»	10	<table border="1"> <tr><td>0</td><td></td><td></td><td></td><td></td><td></td><td></td><td></td><td></td><td></td><td></td><td></td></tr> <tr><td>1</td><td>X</td><td></td><td></td><td></td><td>X</td><td></td><td></td><td></td><td>X</td><td></td><td></td></tr> <tr><td>2</td><td></td><td>X</td><td></td><td>X</td><td></td><td>X</td><td></td><td>X</td><td></td><td>X</td><td></td></tr> <tr><td>3</td><td>X</td><td></td><td>X</td><td></td><td>X</td><td></td><td>X</td><td></td><td>X</td><td></td><td>X</td></tr> </table>	0												1	X				X				X			2		X		X		X		X		X		3	X		X		X		X		X		X	0,12
0																																																			
1	X					X				X																																									
2		X		X		X		X		X																																									
3	X		X		X		X		X		X																																								
Cam switch PK-1-102 25A 2P «0-1-2-3»	25	0,14																																																	
Cam switch PK-1-102 32A 2P «0-1-2-3»	32	0,26																																																	

Name	Rated current, A	Wiring diagram	Net weight, kg
Cam switch PK-1-103 10A 3P «0-1-2-3»	10		0,16
Cam switch PK-1-103 25A 3P «0-1-2-3»	25		0,19
Cam switch PK-1-103 32A 3P «0-1-2-3»	32		0,31
Cam switch PK-1-112 10A 2P «0-1» with key	10		0,14
Cam switch PK-1-112 25A 2P «0-1» with key	25		0,16
Cam switch PK-1-113 10A 3P «0-1» with key	10		0,15
Cam switch PK-1-113 25A 3P «0-1» with key	25		0,17
Cam switch PK-1-121 10A 1P «0-1-2-3»	10		0,12
Cam switch PK-1-121 25A 1P «0-1-2-3»	25		0,14
Cam switch PK-2-13 16A 3P «ON-OFF»	16		0,22
Cam switch PK-2-13 25A 3P «ON-OFF»	25		0,22
Cam switch PK-2-13 40A 3P «ON-OFF»	40		0,29
Cam switch PK-2-13 63A 3P «ON-OFF»	63		0,29
Cam switch PK-2-13 100A 3P «ON-OFF»	100		0,52

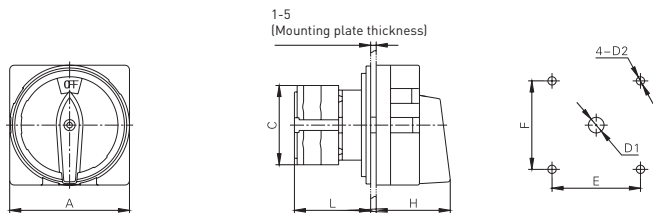
Name	Rated current, A	Wiring diagram	Net weight, kg
Cam switch PK-3-13 16A 3P «ON-OFF» IP54	16		0,26
Cam switch PK-3-13 25A 3P «ON-OFF» IP54	25		0,28
Cam switch PK-3-13 40A 3P «ON-OFF» IP54	40		0,47
Cam switch PK-3-13 63A 3P «ON-OFF» IP54	63		0,60

Delivery scope:

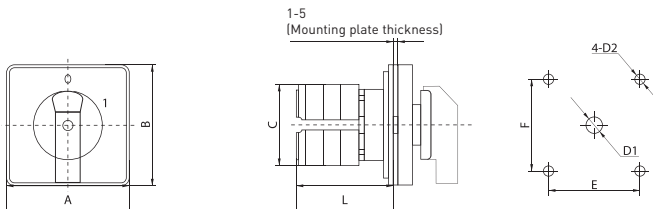
1. Cam Switch PK
2. Mounting kit
3. Technical manual

5 OVERALL AND INSTALLATION DIMENSIONS

Cam switches PK-1



Handle with lock

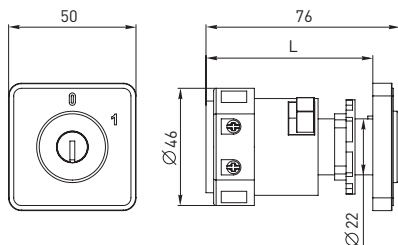


Handle without lock

Name	Dimensions, mm									
	A	B	L	C	E	F	H	D1	D2	
Cam switch PK-1-11 10A 1P «0-1»	48	48	30	43	36	36	33	Ø8,5	Ø4,5	
Cam switch PK-1-11 25A 1P «0-1»	48	48	35	45,2	36	36	33	Ø8,5	Ø4,5	
Cam switch PK-1-12 10A 2P «0-1»	48	48	30	43	36	36	33	Ø8,5	Ø4,5	
Cam switch PK-1-12 25A 2P «0-1»	48	48	35	45,2	36	36	33	Ø8,5	Ø4,5	
Cam switch PK-1-13 10A 3P «0-1»	48	48	38	43	36	36	33	Ø8,5	Ø4,5	
Cam switch PK-1-13 25A 3P «0-1»	48	48	48	45,2	36	36	33	Ø8,5	Ø4,5	
Cam switch PK-1-13 32A 3P «0-1»	64	64	55	58	48	48	42	Ø10	Ø4,5	
Cam switch PK-1-13 63A 3P «0-1»	64	64	55	66	48	48	42	Ø10	Ø4,5	
Cam switch PK-1-14 10A 4P «0-1»	48	48	38	43	36	36	33	Ø8,5	Ø4,5	
Cam switch PK-1-14 25A 4P «0-1»	48	48	48	45,2	36	36	33	Ø8,5	Ø4,5	
Cam switch PK-1-21 10A 1P «1-0-2»	48	48	30	43	36	36	33	Ø8,5	Ø4,5	
Cam switch PK-1-21 25A 1P «1-0-2»	48	48	35	45,2	36	36	33	Ø8,5	Ø4,5	
Cam switch PK-1-22 10A 2P «1-0-2»	48	48	38	43	36	36	33	Ø8,5	Ø4,5	
Cam switch PK-1-22 25A 2P «1-0-2»	48	48	48	45,2	36	36	33	Ø8,5	Ø4,5	
Cam switch PK-1-23 10A 3P «1-0-2»	48	48	36	43	36	36	33	Ø8,5	Ø4,5	
Cam switch PK-1-23 25A 3P «1-0-2»	48	48	60	45,2	36	36	33	Ø8,5	Ø4,5	
Cam switch PK-1-23 32A 3P «1-0-2»	64	64	68	48	48	48	42	Ø10	Ø4,5	
Cam switch PK-1-23 63A 3P «1-0-2»	64	64	65	66	48	48	42	Ø10	Ø4,5	
Cam switch PK-1-24 10A 4P «1-0-2»	48	48	54	43	36	36	33	Ø8,5	Ø4,5	
Cam switch PK-1-24 25A 4P «1-0-2»	48	48	73	45,2	36	36	33	Ø8,5	Ø4,5	
Cam switch PK-1-31 10A 1P «1-2»	48	48	30	43	36	36	33	Ø8,5	Ø4,5	
Cam switch PK-1-31 25A 1P «1-2»	48	48	35	45,2	36	36	33	Ø8,5	Ø4,5	
Cam switch PK-1-41 10A 1P «1-0-2»	48	48	30	43	36	36	33	Ø8,5	Ø4,5	
Cam switch PK-1-41 25A 1P «1-0-2»	48	48	35	45,2	36	36	33	Ø8,5	Ø4,5	
Cam switch PK-1-42 10A 2P «1-0-2»	48	48	38	43	36	36	33	Ø8,5	Ø4,5	
Cam switch PK-1-42 25A 2P «1-0-2»	48	48	48	45,2	36	36	33	Ø8,5	Ø4,5	
Cam switch PK-1-43 10A 3P «1-0-2»	48	48	46	43	36	36	33	Ø8,5	Ø4,5	
Cam switch PK-1-43 25A 3P «1-0-2»	48	48	60	45,2	36	36	33	Ø8,5	Ø4,5	
Cam switch PK-1-43 32A 3P «1-0-2»	64	64	68	48	48	48	42	Ø10	Ø4,5	
Cam switch PK-1-43 63A 3P «1-0-2»	64	64	65	66	48	48	42	Ø10	Ø4,5	

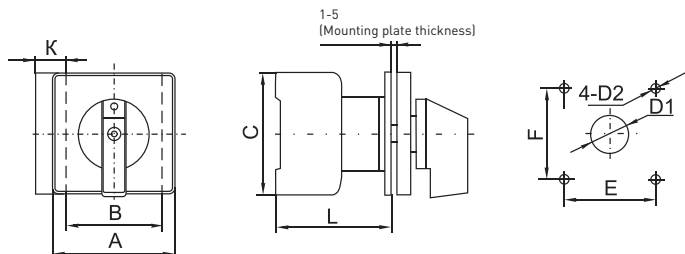
Name	Dimensions, mm									
	A	B	L	C	E	F	H	D1	D2	
Cam switch PK-1-51 10A 1P «1-2»	48	48	30	43	36	36	33	Ø8,5	Ø4,5	
Cam switch PK-1-51 25A 1P «1-2»	48	48	35	45,2	36	36	33	Ø8,5	Ø4,5	
Cam switch PK-1-52 10A 2P «1-2»	48	48	38	43	36	36	33	Ø8,5	Ø4,5	
Cam switch PK-1-52 25A 2P «1-2»	48	48	48	45,2	36	36	33	Ø8,5	Ø4,5	
Cam switch PK-1-53 10A 3P «1-2»	48	48	46	43	36	36	33	Ø8,5	Ø4,5	
Cam switch PK-1-53 25A 3P «1-2»	48	48	60	45,2	36	36	33	Ø8,5	Ø4,5	
Cam switch PK-1-53 32A 3P «1-2»	64	64	68	48	48	48	42	Ø10	Ø4,5	
Cam switch PK-1-53 63A 3P «1-2»	64	64	65	66	48	48	42	Ø10	Ø4,5	
Cam switch PK-1-64 10A for voltmeter	48	48	46	45,2	36	36	33	Ø8,5	Ø4,5	
Cam switch PK-1-73 10A 3P for voltmeter (line voltage)	48	48	38	43	36	36	33	Ø8,5	Ø4,5	
Cam switch PK-1-84 10A 4P for voltmeter (phase voltage)	48	48	38	43	36	36	33	Ø8,5	Ø4,5	
Cam switch PK-1-94 10A 4P for amperemeter	48	48	38	43	36	36	33	Ø8,5	Ø4,5	
Cam switch PK-1-101 10A 1P «0-1-2-3»	48	48	38	43	36	36	33	Ø8,5	Ø4,5	
Cam switch PK-1-101 25A 1P «0-1-2-3»	48	48	48	45,2	36	36	33	Ø8,5	Ø4,5	
Cam switch PK-1-101 32A 1P «0-1-2-3»	64	64	55	58	48	48	42	Ø10	Ø4,5	
Cam switch PK-1-102 10A 2P «0-1-2-3»	48	48	38	43	36	36	33	Ø8,5	Ø4,5	
Cam switch PK-1-102 25A 2P «0-1-2-3»	48	48	48	45,2	36	36	33	Ø8,5	Ø4,5	
Cam switch PK-1-102 32A 2P «0-1-2-3»	64	64	55	58	48	48	42	Ø10	Ø4,5	
Cam switch PK-1-103 10A 3P «0-1-2-3»	48	48	63,6	43	36	36	33	Ø8,5	Ø4,5	
Cam switch PK-1-103 25A 3P «0-1-2-3»	48	48	85,8	45,2	36	36	33	Ø8,5	Ø4,5	
Cam switch PK-1-103 32A 3P «0-1-2-3»	64	64	93,6	48	48	48	42	Ø10	Ø4,5	
Cam switch PK-1-121 10A 1P «0-1-2-3»	48	48	38	43	36	36	33	Ø8,5	Ø4,5	
Cam switch PK-1-121 25A 1P «0-1-2-3»	48	48	48	45,2	36	36	33	Ø8,5	Ø4,5	

Cam switches PK-1 with key



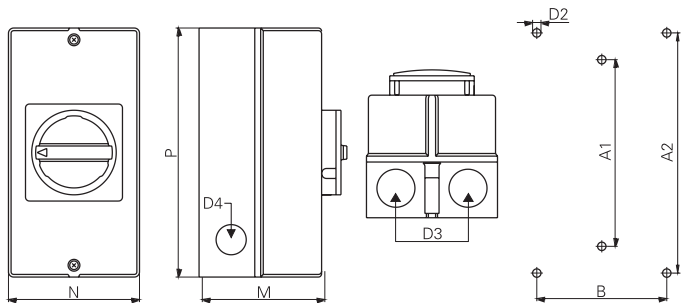
Name	L, mm
Cam switch PK-1-112 10A 3P «0-1» with key	65,5
Cam switch PK-1-112 25A 3P «0-1» with key	70,5
Cam switch PK-1-113 10A 3P «0-1» with key	75,1
Cam switch PK-1-113 25A 3P «0-1» with key	83,3

Cam switches PK-2



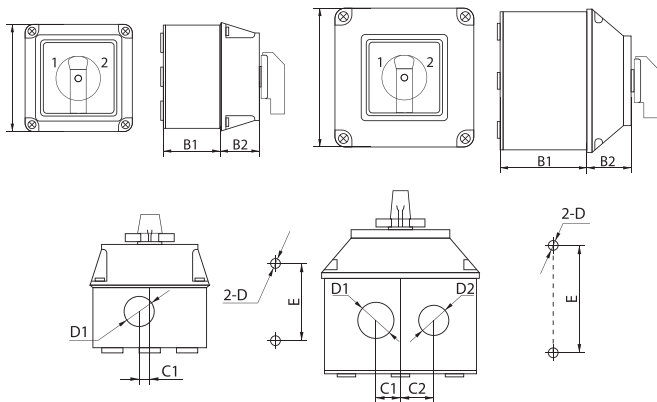
Name	Dimensions, mm								
	AxA	B	C	K	L	E	F	D1	D2
Cam switch PK-2-13 16A 3P «ON-OFF»	64x64	42	54	13,5	61	48	48	∅10	∅4,2
Cam switch PK-2-13 25A 3P «ON-OFF»	64x64	42	54	13,5	61	48	48	∅10	∅4,2
Cam switch PK-2-13 40A 3P «ON-OFF»	64x64	50	64	16	67	48	48	∅10	∅4,2
Cam switch PK-2-13 63A 3P «ON-OFF»	64x64	50	64	16	67	48	48	∅10	∅4,2
Cam switch PK-2-13 100A 3P «ON-OFF»	64x64	70	80	22,5	82	48	48	∅10	∅4,2

Cam switches PK-2 enclosed, lock IP65 EKF



Name	Dimensions, mm								
	D3	D4	M	N	P	A1	A2	B	D2
Cam switch PK-2-13 16A 3P «ON-OFF» enclosed, lock IP65 EKF	23	19	85	83	160	150	—	—	$\varnothing 4,2$
Cam switch PK-2-13 25A 3P «ON-OFF» enclosed, lock IP65 EKF	23	19	85	83	160	150	—	—	$\varnothing 4,2$
Cam switch PK-2-13 40A 3P «ON-OFF» enclosed, lock IP65 EKF	29	23	100	95	190	178	—	—	$\varnothing 4,2$
Cam switch PK-2-13 63A 3P «ON-OFF» enclosed, lock IP65 EKF	29	23	100	95	190	178	—	—	$\varnothing 4,2$
Cam switch PK-2-13 100A 3P «ON-OFF» enclosed, lock IP65 EKF	37,5	23	144	105	250	—	229	124	$\varnothing 6,2$

Cam switches PK-3



Name	Dimensions, mm								
	AxA	B	B1	C1	C2	D1	D2	D3	E
Cam switch PK-3-13 16A 3P «ON-OFF» IP54	69x69	45	22,5	6,5	—	Ø18	-	Ø5	44
Cam switch PK-3-13 25A 3P «ON-OFF» IP54	69x69	45	22,5	6,5	—	Ø18	-	Ø5	44
Cam switch PK-3-13 40A 3P «ON-OFF» IP54	113x113	70,5	35,5	18	23,5	Ø27	Ø21	Ø5	78
PC-3-13 63A 3P «ON-OFF» IP54	113x113	70,5	35,5	18	23,5	Ø27	Ø21	Ø5	78

6 INSTALLATION AND OPERATION

The device shall be mounted and connected by qualified electrical personnel. PK-1 and PK-2 switches are front-mounted on the front panel of distribution enclosures, control panels, etc. PK-3 switches are rear-mounted onto the mounting plate. The cam switch can be operated in any spatial position. Do not install the cam switch if any damage found. Operation conditions. Operating temperature: from -25 to +40 °C. Relative humidity: 50% at high temperature and 90% at low temperature.

7 DISPOSAL

Life-expired and failed products shall be disposed of in compliance with the national and local laws and regulations in force. To dispose of the product, send it to an authorized company for recycling in compliance with the effective national and local laws and regulations.

8 MANUFACTURER'S WARRANTY

The manufacturer guarantees that the cam switches PK comply with the requirements of IEC 60947-5-1:2016, provided that consumers follow the operation, transportation and storage conditions.

Warranty period: 7 years from the date of sale specified in the sales receipt.

Shelf life: 7 years from the date of manufacture specified on the product packaging or housing.

Service life: 10 years.

Manufacturer: for information, refer to the product package.

Importer and EKF trademark service representative: EKF ELECTRICAL SOLUTION – FZCO, Dubai Silicon Oasis, DDP, Building A2, Dubai, United Arab Emirates.

Importer and EKF trademark service representative on the territory of the Russian Federation: OOO «Electroresheniya», Otradnaya st., 2b bld. 9, 5th floor, 127273, Moscow, Russia. Tel.: +7 (495) 788-88-15.

Importer and EKF trademark service representative on the territory the Republic of Kazakhstan: TOO «Energoresheniya Kazakhstan», Kazakhstan, Almaty, Bostandyk district, Turgut Ozal st., 247, apt 4.

9 CERTIFICATE OF ACCEPTANCE

The cam switch PK EKF has been approved for operation.

Date of manufacture: For information, refer to the product package.

Quality control stamp



EAC



v3

ekfgroup.com

