

# Product data sheet

## Specifications



## Molded case circuit breakers (MCCBs)

### AV POWER

IEC 60947-2:2016

	TM trip unit	Electronic trip unit
Product type	<b>MCCB</b>	
Series name	AV Power AVERES	
Device application	Distribution	
Poles description	3P, 4P	3P, 4P
Frames	1-4	1-5
[In] rated current (frame - current)	1: 10-160A; 2: 100-250A; 3: 250-630A; 4: 700-800A.	1: 32A, 63A, 100A, 160A; 2: 250A; 3: 400, 630A; 4: 1000A; 5: 800A, 1000A, 1250A, 1600A.
[Ue] rated operational voltage	400/415/690 V AC	400/415/690 V AC
[Uj] rated insulation voltage	800 V AC (1 frame 35kA); 1000 V AC (1 frame 80kA; 2-4 frame)	AC 1000 V
[Uimp] rated impulse withstand voltage	8 kV	
Network type	AC	
Network frequency	50/60 Hz	
Utilisation category	A	A (32 -250A, 1000A); B (400-800A)
[Icu] rated ultimate short-circuit breaking capacity 400 V AC	35/80kA (1 - 2 frame); 35/100kA (3 - 4 frame)	50kA, 100kA (1-4 frame); 70kA (5 frame)
[Ics] rated service short-circuit breaking capacity 400V AC	35/75kA	50/75kA (1-4 frame); 70kA (5 frame)
Operation temperature °C	-25...+55	-5...+55
Trip unit name	TM	Electronic
Protection type	LI	LSI



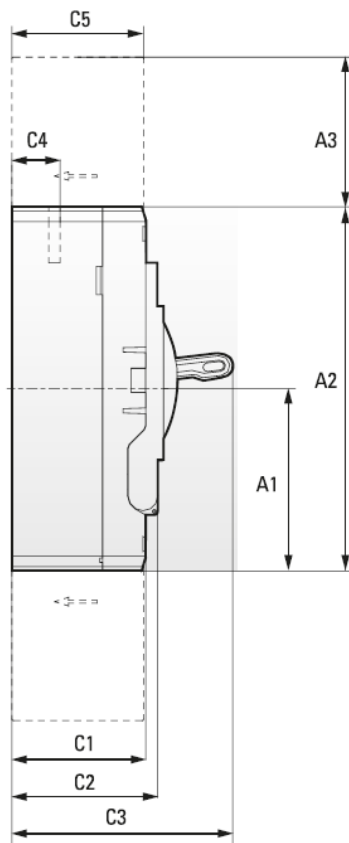
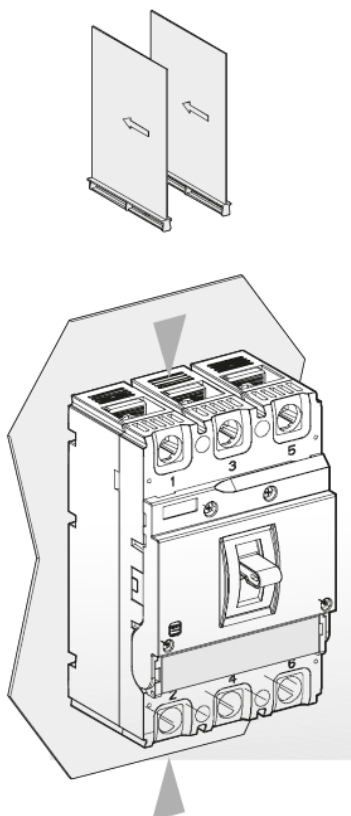
**EKF**

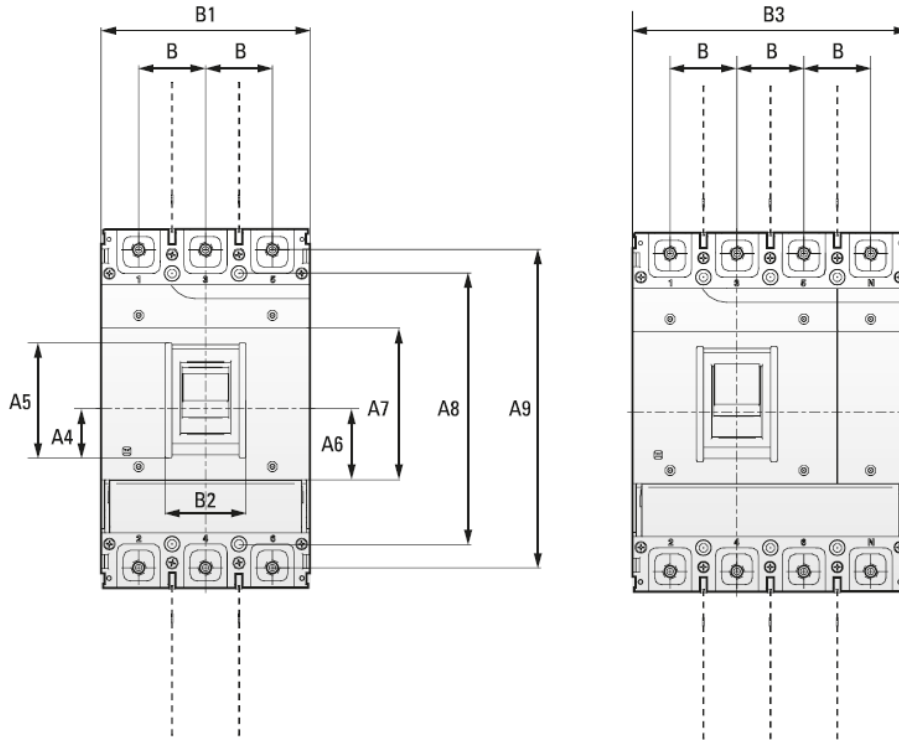
Trip unit technology	Fixed thermomagnetic	ETU 2.X - basic electronic (knob type); ETU 6.X - electronic with LCD
Measuring	-	ETU 6.X - A (per phase)
Communication	-	ETU 6.2 - Modbus RTU
Accessories *		
Contacts	Auxillary; Alarm; Combined	
Releases	Shunt; Under Voltage	
Control	Motor operation	
	Extended rotary handle	
Terminal accessories	Terminal extender	
	Rear connectors	
Panels	Plug-in & Draw-out 1 frame - 125A; 2 frame - 200A; 3 frame - 400A; 4 frame - 700A.	

\*For MCCB 1st frame different accessories for TM and Electronic Trip unit. For MCCB 1st frame with High Icu use accessories for electronic type.

Overall dimensions:

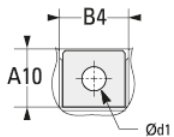
Interphase barriers



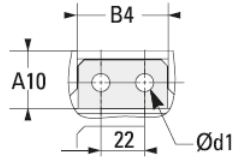


Terminals

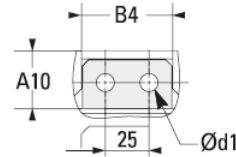
POWER-1~3



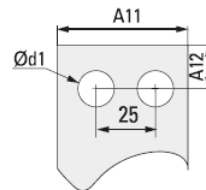
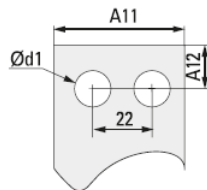
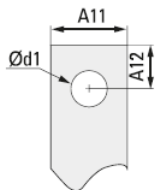
POWER-4



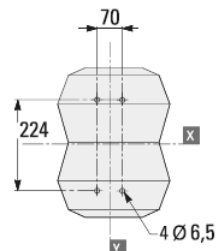
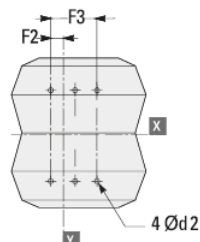
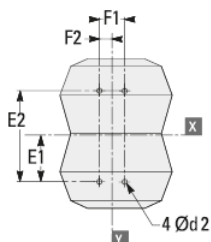
POWER-5



Cross-section of the conductor



Installation dimensions



**EKF**

EKF ELECTRICAL SOLUTION – FZCO  
 Dubai Silicon Oasis, DDP, Building A2,  
 Dubai, United Arab Emirates  
 P.O. Box 342001

[www.global.ekfgroup.com](http://www.global.ekfgroup.com)

**ENERGY  
 KNOWLEDGE  
 FUTURE**

Model	A1	A2	A3	A4	A5	A6	A7	A8	A9	A10	A11	A12
Power-1 TR	65	130	50	20,9	29,7	29,5	54,5	111	116	15,8	13	7
Power-1 ETU, TR80kA	77,5	155	50	22,5	42,6	28	58	132	137	17,8	13	8,5
Power-2	82,5	165	80	21	47,5	28,5	62	143	144	20,5	24	10
Power 3	128,5	257	105,8	35,2	82,5	51	109	194	228	28,5	30	13
Power-4	137,5	275	110	37,9	81,8	51	102	243	243	29	45	13
Power-5	143,75	287,5	107	-	130	-	189	224	258,5	30	50	15,5

Model	B	B1	B2	B3	B4	C1	C2	C3	C4	C5
Power-1 TR	25	77	24,5	102	18	56	61	81,5	18	55
Power-1 ETU, TR80kA	30	92	28,5	122	18	72	79	101	23,5	73
Power-2	35	105	32,6	140	24,5	66	73	99,5	24,6	65
Power 3	48	150	58	198	32	94,5	103	151,5	26	93
Power-4	70	210	61,5	280	46	97	105	156,5	25	93
Power-5	70	216	75	-	51	137	158	232	32,5	-

Model	E1	E2	F1	F2	F3	d1	d2
Power-1 TR	55,5	111	25	12,5	50	6,5	4
Power-1 ETU, TR80kA	66	132	30	15	60	6,5	4,5
Power-2	71,5	143	35	17,5	70	8,5	4,5
Power 3	97	194	48	24	96	11	7
Power-4	121,5	243	70	35	70	9	7
Power-5	-	224	70	-	-	M10	6,5